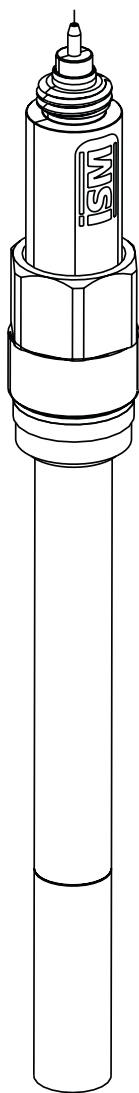


InPro 6850 i, 6900 i & 6950 i Series O₂ Sensors

Instruction manual
Bedienungsanleitung
Instructions d'utilisation



InPro 6850i/6900i/6950i
52 206 349 G

English**Page 3****Deutsch****Seite 42****Français****Page 82**

InPro 6850 i, 6900 i & 6950 i Series O₂ Sensors

Instruction manual

InPro, InDip, InFit, ISM and InTrac are trademarks
of the METTLER TOLEDO Group.

Contents

| | | |
|------------|---|-----------|
| 1. | Introduction | 5 |
| 2. | Important notes | 6 |
| 2.1 | Notes on operating instructions | 6 |
| 2.2 | Intended use | 6 |
| 2.3 | Safety instructions | 7 |
| 2.4 | Environmental protection | 8 |
| 2.5 | Examples of some typical applications | 9 |
| 2.6 | Use in Ex-zones | 9 |
| 2.7 | Ex-classification ATEX | 10 |
| 2.7.1 | Introduction | 10 |
| 2.7.2 | Rated data | 10 |
| 2.7.3 | Special conditions | 11 |
| 2.8 | Ex-classification FM approved | 12 |
| 2.8.1 | Introduction | 12 |
| 2.8.2 | Rated data | 13 |
| 2.8.3 | Special conditions | 13 |
| 2.8.4 | Applied standards: | 14 |
| 3. | Product description | 15 |
| 3.1 | General information | 15 |
| 3.2 | Principle | 15 |
| 3.3 | Scope of delivery | 16 |
| 3.4 | Equipment features | 17 |
| 4. | Installation | 18 |
| 4.1 | Mounting the sensor | 18 |
| 4.2 | Connection | 18 |
| 4.2.1 | Connecting the sensor to an AK9 cable | 18 |
| 4.2.2 | Connecting the AK9 cable to the transmitter | 19 |
| 5. | Operation | 20 |
| 5.1 | Start-up and polarizing | 20 |
| 5.2 | Calibration | 21 |
| 5.2.1 | Purpose of calibration | 21 |
| 5.2.2 | What you have to know for calibration | 21 |
| 5.2.3 | Single point calibration | 22 |
| 5.2.4 | Dual point calibration | 22 |
| 6. | Maintenance | 23 |
| 6.1 | Inspection of the sensor | 23 |
| 6.1.1 | Visual inspection | 23 |
| 6.1.2 | Testing the METTLER TOLEDO O ₂ sensor master | 24 |
| 6.1.3 | Testing the sensor via a transmitter | 25 |
| 6.1.4 | ISM design | 26 |
| 6.2 | Changing the electrolyte, the membrane body or the interior body | 26 |
| 7. | Storage | 29 |
| 8. | Product specification | 29 |
| 8.1 | Certificates | 29 |
| 8.2 | Specifications | 30 |
| 9. | Ordering information | 32 |
| 9.1 | Sensors with ISM functionality | 32 |
| 9.2 | Accessories | 32 |
| 9.3 | Spare parts | 32 |
| 9.4 | Recommended transmitters | 33 |
| 9.5 | Recommended housings | 34 |
| 10. | Theory of the polarographic sensor | 35 |
| 10.1 | Introduction | 35 |
| 10.2 | Principle of the design of an oxygen electrode | 35 |
| 10.3 | Parameters determining current | 39 |
| 10.4 | Polarization voltage | 39 |
| 10.5 | Temperature | 40 |
| 10.6 | Dependence on flow | 40 |
| 10.7 | Oxygen partial pressure – oxygen concentration | 40 |

1 Introduction

Thank you for buying this **InPro™ 6850 i/6900 i/6950 i sensor from METTLER TOLEDO.**

The construction of the InPro series employs leading edge technology and complies with safety regulations currently in force. Notwithstanding this, improper use could lead to hazards for the user or a third-party, and/or adverse effects on the plant or other equipment.



Therefore, the operating instructions must be read and understood by the persons involved before work is started with the sensor.

This instruction manual must always be stored close at hand, in a place accessible to all people working with the InPro sensor.

If you have questions, which are not or insufficiently answered in this instruction manual, please contact your METTLER TOLEDO supplier. He will be glad to assist you.

2 Important notes

2.1 Notes on operating instructions

These operating instructions contain all the information needed for safe and proper use of the InPro 6850i / 6900i / 6950i sensor.

The operating instructions are intended for personnel entrusted with the operation and maintenance of the sensor. It is assumed that these persons are familiar with the equipment in which the sensor is installed.

Warning notices and symbols

This instruction manual identifies safety instructions and additional information by means of the following symbols:



This symbol draws attention to safety instructions and warnings of potential danger which, if neglected, could result in injury to persons and/or damage to property.



This symbol identifies additional information and instructions which, if neglected, could lead to defects, inefficient operation and possible loss of production.

2.2 Intended use

METTLER TOLEDO InPro 6850i/6900i/6950i sensors are intended solely for inline measurement of the oxygen partial pressure in liquids and gases, as described in this instruction manual.

Any use of these sensors which differs from or exceeds the scope of use described in this instruction manual will be regarded as inappropriate and incompatible with the intended purpose.

The manufacturer/supplier accepts no responsibility whatsoever for any damage resulting from such improper use. The risk is borne entirely by the user/operator.

Other prerequisites for appropriate use include:

- compliance with the instructions, notes and requirements set out in this instruction manual.
- acceptance of responsibility for regular inspection, maintenance and functional testing of all associated components, also including compliance with local operational and plant safety regulations.
- compliance with all information and warnings given in the documentation relating to the products used in conjunction with the sensor (housings, transmitters, etc).
- observance of all safety regulations governing the equipment in which the sensor is installed.
- correct equipment operation in conformance with

the prescribed environmental and operational conditions, and admissible installation positions.

- consultation with METTLER TOLEDO Process Analytics in the event of any uncertainties.

2.3 Safety instructions



- The plant operator must be fully aware of the potential risks and hazards attached to operation of the particular process or plant. The operator is responsible for correct training of the workforce, for signs and markings indicating sources of possible danger, and for the selection of appropriate, state-of-the-art instrumentation.
- It is essential that personnel involved in the commissioning, operation or maintenance of these sensors or of any of the associated equipment (e.g. housings, transmitters, etc.) be properly trained in the process itself, as well as in the use and handling of the associated equipment. This includes having read and understood this instruction manual.
- The safety of personnel as well as of the plant itself is ultimately the responsibility of the plant operator. This applies in particular in the case of plants operating in hazardous zones.
- The oxygen sensors and associated components have no effect on the process itself and cannot influence it in the sense of any form of control system.
- Maintenance and service intervals and schedules depend on the application conditions, composition of the sample media, plant equipment and significance of the safety control features of the measuring system. Processes vary considerably, so that schedules, where such are specified, can only be regarded as tentative and must in any case be individually established and verified by the plant operator.
- Where specific safeguards such as locks, labels, or redundant measuring systems are necessary, these must be provided by the plant operator.
- A defective sensor must neither be installed nor put into service.
- Only maintenance work described in this operating instruction may be performed on the sensors.
- When changing faulty components, use only original spare parts obtainable from your METTLER TOLEDO supplier (see spare parts list, "Section 9.3").
- No modifications to the sensors and the accessories are allowed. The manufacturer accepts no responsibility for damages caused by unauthorized modifications. The risk is borne entirely by the user.



- When using cables for sensor connection not supplied and recommended by the manufacturer the following standards need to be considered:
 - US National Electrical Code® (ANSI/NFPA 70 [NEC®]), where applicable.
 - Canadian Electrical (CE) Code® (CEC Part 1, CAN/CSA-C22.1), where applicable.
- For guidance on US installations, see ANSI/ISA-RP12.06.01, Installation of Intrinsically Safe Systems for Hazardous (Classified) Locations.
- Control room equipment connected to intrinsically safe associated apparatus in the US should not use or generate more than the specified Um of the associated apparatus.
- Care must be taken during installation to avoid impacts or friction that could create an ignition source.
- Tampering and replacement with non-factory components may adversely affect the safe use of the system.
- Insertion or withdrawal of removable electrical connectors or modules is to be accomplished only when the area is known to be free of flammable vapors.
- **WARNING** –
INTRINSICALLY SAFE APPARATUS CAN BE A SOURCE OF IGNITION IF INTERNAL SPACINGS ARE SHORTED OR CONNECTIONS OPENED.
- **WARNING** –
DO NOT OPEN WHEN AN EXPLOSIVE ATMOSPHERE IS PRESENT.
- **WARNING** –
SUBSTITUTION OF COMPONENTS MAY IMPAIR INTRINSIC SAFETY.
- **WARNING** –
SUBSTITUTION OF COMPONENTS MAY IMPAIR SUITABILITY OF THE EQUIPMENT
- **WARNING** –
FOR CONNECTION ONLY TO NON-FLAMMABLE PROCESSES.
- **WARNING** –
TO MAINTAIN THE ENCLOSURE IP66 RATING, THE CONNECTOR MUST BE FULLY ENGAGED.

2.4 Environmental protection



Waste electrical products should not be disposed of with household waste. Please recycle where facilities exist. Check with your Local Authority or retailer for recycling advice.

2.5 Examples of some typical applications

Below is a list of examples of typical fields of application for the oxygen sensors. This list is not exhaustive.

Measurement in liquids:

- Biotech
- Chemical applications
- Brewing
- Beverage filtration
- Filling stations

Measurement in gases:

- CO₂ recovery
- CO₂ purity
- Product storage
- Inert production

2.6 Use in Ex-zones



Attention! For an installation in Ex-zones please read the guidelines following hereafter:



Ex-classification ATEX:

⊠ II 1/2G Ex ia IIC T6...T3 Ga/Gb

⊠ II 1/2D Ex ia IIIC T69 °C...T161 °C Da/Db

Number of the test certificate:

SEV 14 ATEX 0169X

IECEX SEV 14.0026X

CML 22 UKEX 2212X

Ex-classification FM approved:



IS/I, II, III/1/ABCDEFG/T6 Ta = 60 °C
– 53 800 002; Entity

Project ID: 3021227

FM certificate number: FM16US0034X

FM18CA0021X

2.7 Ex-classification ATEX

2.7.1 Introduction

- According to Directive 2014/34/EU (ATEX 114)¹⁾ Appendix I, InPro 6XXX*/**/* oxygen sensors are devices group II, category 1/2G and according to RL 99/92/EG (ATEX 137)²⁾ may be used in zones 0/1 or 1/2 or 1 or 2 and gas groups IIA, IIB and IIC that are potentially explosive due to combustible substances in above stated temperature classes.
- For use / installation, the requirements of EN 60079-14 must be observed.
- According to Directive 2014/34/EU (ATEX 114)¹⁾ Appendix I, InPro 6XXX*/**/* oxygen sensors are devices group II, category 1/2D and according to RL 99/92/EG (ATEX 137)²⁾ may also be used in zones 20/21 or 21 or 22 that contain combustible dusts.
- The digital sensor circuit is part of a common intrinsically safe system and is for operation connected to a separately certified transmitter.
- The digital sensor circuit as part of an intrinsically safe system is isolated from the not-intrinsically safe electric circuits up to a maximum rated voltage of 375 V and from grounded parts up to a maximum rated voltage of 30 V.

2.7.2 Rated data

Measuring circuit

Intrinsically safe ignition protection class Ex ia IIC only for connection to a certified intrinsically safe circuit.

Digital O₂ oxygen sensor maximum values

Two-wire current circuit:

$$U_i \leq 16 \text{ V}$$

$$I_i \leq 30 \text{ mA}$$

$$P_i \leq 50 \text{ mW}$$

$$L_i = \text{negligible}$$

$$C_i = \text{negligible}$$

¹⁾ For UK statutory Requirements SI 2016 No. 1107

²⁾ For UK regulations 7 and 11 of the Dangerous Substances and Explosive Atmospheres Regulations 2002 (DSEAR)

2.7.3 Special conditions

- The relationship between the maximum permissible ambient or media temperature and temperature class, for category 1G applications, zone 0, is shown in the following table:

| Temperature class | Max. ambient or media temperature |
|--------------------------|--|
| T 6 | 68 °C |
| T 5 | 80 °C |
| T 4 | 108 °C |
| T 3 | 160 °C |

- The relationship between the maximum permissible ambient or media temperature and temperature class, for category 1D applications, zone 20, is shown in the following table:

| Temperature class | Max. ambient or media temperature |
|--------------------------|--|
| T 69 °C | 68 °C |
| T 81 °C | 80 °C |
| T 109 °C | 108 °C |
| T 161 °C | 160 °C |

- The capacitance and inductance of the connecting cable has to be considered.
- The O₂ oxygen sensor type InPro 6XXX can be used in/with the fittings InFit™ 76*_*_*_* or InTrac™ 7**_*_*_*, or in/with other suitable fittings in potentially explosive areas.
- The metal body of the O₂ oxygen sensors, or the fittings InFit 76*_*_*_* or InTrac 7**_*_*_*, or other appropriate fitting is optionally included in the routine pressure test of the system.
- The independent fitting used for installation of the O₂ oxygen sensor must be conductively connected to the equipotential bonding system.

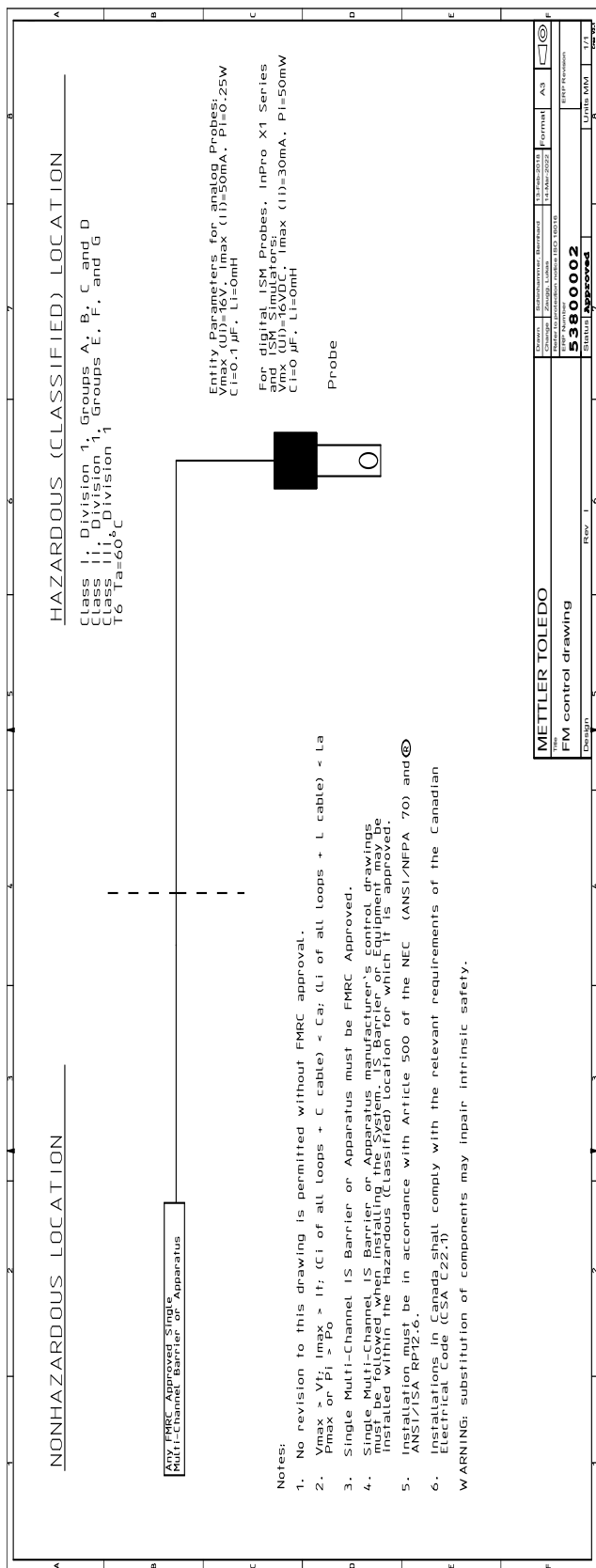
2.8



Ex-classification FM approved

2.8.1 Introduction

The following FM control drawing and the standards listed in section 2.8.4 must be observed, where applicable:



2.8.2 Rated data

For rated data please observe section 2.7.2

2.8.3 Special conditions

In intrinsically safe apparatus, the analytical probes (InPro 6000 Series with InFit 76X/Y and InTrac 7XX/YY Series housings) equipment is designated with the following specific conditions of use.

1. The oxygen sensor shall be installed in compliance with the enclosure, mounting, spacing and segregation requirements of the ultimate application, including a tool removable cover, and is suitable for use with FM Approved InFit 76X/Y and InTrac 7XX/YY Series housings.
2. Process temperature no greater than +130 °C.
3. Maximum permissible working pressure is 12 barg (174 psig).
4. Potential Electrostatic Charging Hazard – To prevent the risk of electrostatic sparking, the non-metallic surface should only be cleaned with a damp cloth.
5. Enclosures containing titanium constitute a potential risk of ignition by impact or friction. Care must be taken during installation and use to prevent impact or friction.

2.8.4 Applied standards:

United States Standards

| Title | Number | Issue Date |
|--|-----------------------|-------------------|
| Approval Standard for Electrical Equipment for Use in Hazardous (Classified) Locations – General Requirements | FM Class 3600 | 2022 |
| Approval Standard for Intrinsically Safe Apparatus and Associated Apparatus for Use in Class I, II & III, Division 1, Hazardous (Classified) Locations | FM Class 3610 | 2021 |
| Approval Standard for Electrical Equipment for Measurement, Control and Laboratory Use | FM Class 3810 | 2021 |
| Explosive Atmospheres – Part 0: Equipment – General Requirements | ANSI/UL 60079-0:2020 | 2020 |
| Explosive Atmospheres – Part 11: Equipment Protection by Intrinsic Safety “i” | ANSI/UL 60079-11:2018 | 2018 |
| Safety Requirements for Electrical Equipment for Measurement, Control, and Laboratory Use – Part 1: General Requirements | ANSI/UL 61010-1:2018 | 2018 |

Canadian Standards

| Title | Number | Issue Date |
|--|-------------------------------------|-------------------|
| Explosive Atmospheres – Part 0: Equipment – General Requirements | CAN/CSA-C22.2 No. 60079-0:2019 | 2019 |
| Explosive Atmospheres – Part 11: Equipment Protection by Intrinsic Safety “i” | CAN/CSA-C22.2 No. 60079-11-14:R2018 | R2018 |
| Safety Requirements for Electrical Equipment for Measurement, Control, and Laboratory Use – Part 1: General Requirements | CAN/CSA-C22.2 No. 61010-1-12:R2017 | R2017 |

3 Product description

3.1 General information

The **oxygen sensor series InPro 6850 i/6900 i/6950 i** with integrated temperature probe are used for measurement of oxygen at low and medium concentrations.

The sensors are **sterilizable**, and in the majority of cases are also autoclavable. They are **compatible with CIP** (Cleaning-In-Place).

InPro 6xxx i sensors with ISM™ functionality offer Plug and Measure as well as enhanced diagnostics features.

3.2 Principle

Amperometric oxygen sensors:

The amperometric oxygen sensors of METTLER TOLEDO are all based on the Clark measuring principle. However different series are offered, which differ in the number and arrangement of their electrodes and thus in their specifications:

- The measurement system of the InPro sensors consists of a working electrode (cathode), a counter electrode (anode), a reference electrode and a guard ring electrode. The measurement system is separated from the process medium by an oxygen permeable membrane.
- The measuring technique in principle is alike with all sensors.
- The transmitter supplies a constant voltage between cathode and anode.
- The electrolyte creates a conductive connection between the electrodes.
- The oxygen molecules migrate from the measurement medium through the membrane to the cathode to which the voltage is supplied and are reduced. At the same time, oxidation takes place at the anode.
- This causes a current to flow between the anode and cathode which is directly proportional to the partial pressure of oxygen (pO₂) in the process medium. With digital ISM™ sensors, the sensor converts the current into oxygen concentration and communicates the value to the transmitter.
- The guard ring electrode of the InPro 6900 i and 6950 i built into the sensor reduces the oxygen that migrates to the side of the cathode and that can distort the measurement. The guard ring electrode therefore enables traces of oxygen to be precisely determined at even the lowest concentrations.



Note: Please refer to “Section 10 – Theory of the polarographic sensor” for further information.

ISM sensors:

All oxygen sensors with the index "i" (6850i, 6900i, 6950i) are equipped with ISM.

Principle: In the sensor head a chip is integrated, which takes over the entire monitoring and control of the sensor and, beyond that, stores all sensor data.

The following data are available permanently in the sensor:

- type of sensor
- serial no.
- software version
- hardware version
- order no.
- operating time
- calibration time and calibration date
- calibration table

To check the system, the following indicators are supervised:

- temperature
- slope
- zero current
- air current
- polarization voltage

Based on this information, the transmitter calculates a wear monitor and displays it depending upon transmitter type. (see the respective instruction manuals)

ISM enables the connection of the digital sensor to iSense. This user-friendly software allows management of all sensor information and storage of it in a database. Furthermore, the sensor can be calibrated via the iSense software.

3.3 Scope of delivery

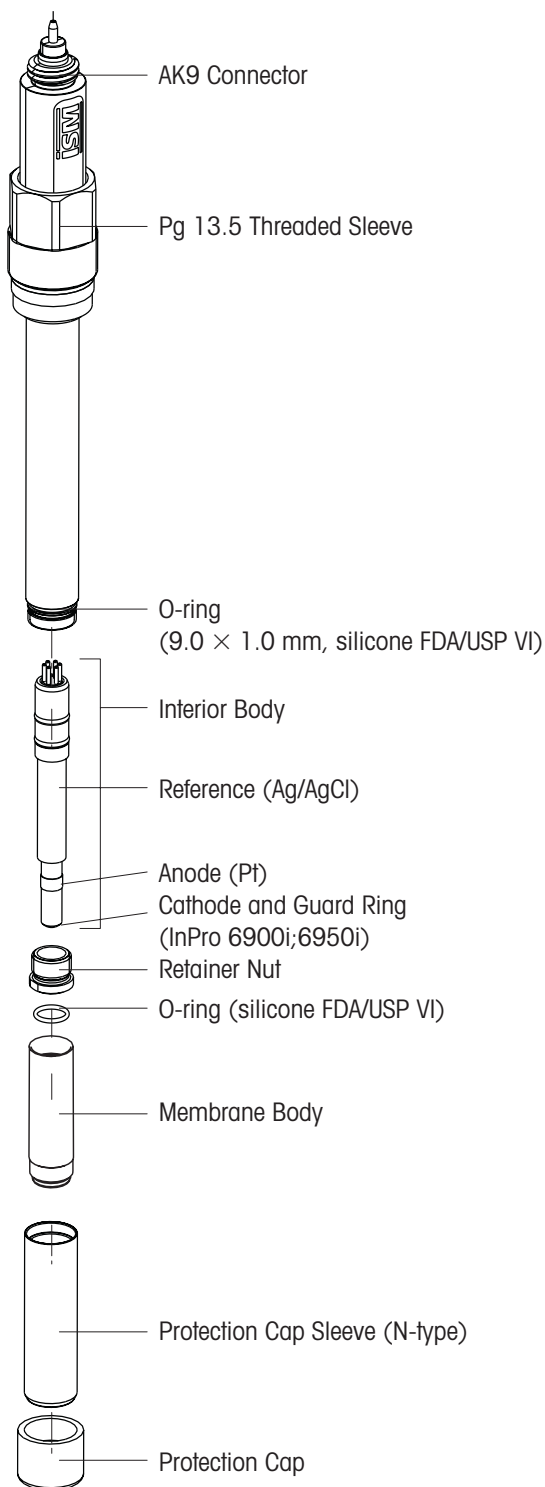
Each sensor is supplied fully assembled and factory-tested for correct function together with:

- a quality control certificate
- inspection certificates 3.1
(complying with EN 10204)

METTLER TOLEDO ISM O₂ sensors are supplied with fitted membrane body but without electrolyte, covered with the protection cap. They have been checked for proper functionality. See electrolyte order details at section "Spare Parts", 9.3.

3.4 Equipment features

12 mm sensor



4 Installation

4.1 Mounting the sensor



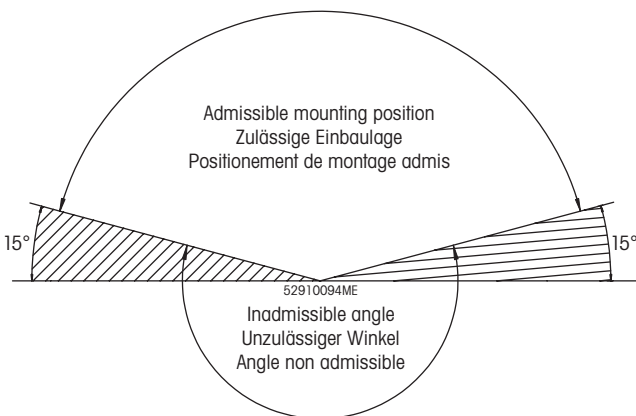
Important! Remove the protection cap before mounting the sensor.

Mounting the sensor in a housing

Please refer to the instruction manual of your housing explaining on how to mount the sensor in place.

Mounting the sensor directly in a pipe or a vessel

The 12 mm sensors can be mounted directly through a socket with inside thread Pg 13.5 and securely tightened via the Pg 13.5 threaded sleeve.



4.2 Connection

4.2.1 Connecting the sensor to an AK9 cable

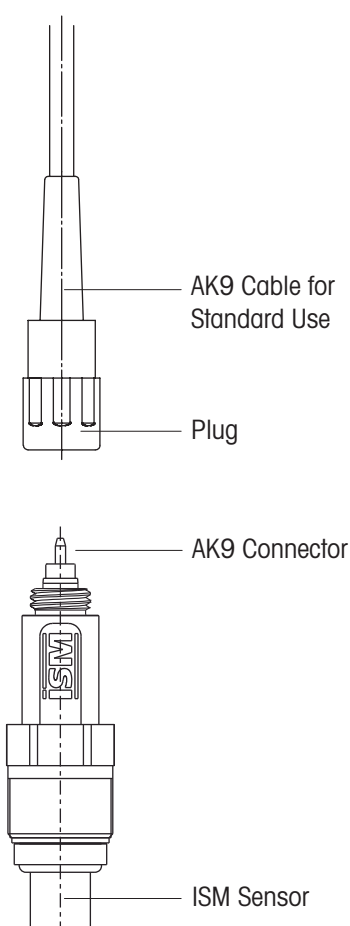


The sensor is connected to the transmitter via an AK9 cable. The AK9 cable ensures a secure connection between the transmitter and the sensor under harsh industrial conditions. The robust watertight IP 68 connector housing ensures maximum process safety.

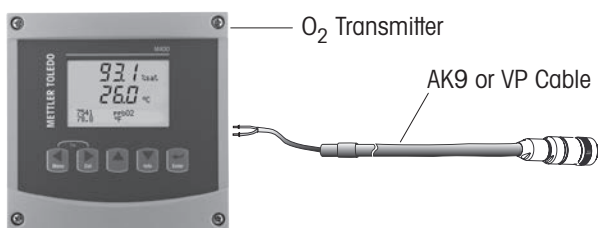


Do not touch the sensor at the AK9 connector plug!

Tightly screw the plug to fasten the two parts.



4.2.2 Connecting the AK9 cable to the transmitter



Note: For connecting the AK9 cable to the terminals of the transmitter, please refer to the instructions given in the METTLER TOLEDO transmitter manual.

5 Operation



Important! Before using the sensor for the first time, electrolyte must be added to the membrane body (see “Chapter 6.2”).

5.1 Start-up and polarizing



Important! The protection cap must be removed before mounting the sensor in the process.

When the system is operated for the first time or if the sensor has been disconnected from the voltage source (transmitter or O₂ sensor master) for longer than 5 minutes, the sensor has to be polarized prior to calibration by connecting it to the operating O₂ transmitter or to a sensor master. After 6 hours, the sensor is fully polarized and ready for operation.



Attention: The InPro 6950 i should never be polarized in air!

During this time, it is recommended to keep the protection cap filled with fresh conditioning solution on the sensor (see “Section 7 – Storage”), especially if the sensor is being polarized for longer than 6 hours (Exemption: the ISM version InPro 6850i reaches polarization after 1h and is then ready for operation).

A shorter polarization period is sufficient if the sensor has been disconnected for only a few minutes. The following table serves to establish the correct polarization time in relation to the depolarization time.

| Depolarization time ¹ t_{depol} [Min.] | Minimum required polarization time ² [Min.] | |
|---|---|--------------|
| | InPro 6900 i; InPro 6950 i | InPro 6850 i |
| > 30 | 360 | 60 |
| 15 to 30 | $6 \times t_{\text{depol}}$ | 45 |
| 5 to 15 | $4 \times t_{\text{depol}}$ | 30 |
| < 5 | $6 \times t_{\text{depol}}$ | 0 |

- 1 Depolarization time: Time span in which the polarization voltage is cut off from the sensor. This is the case:
 - during the time the cable is disconnected or no transmitter or sensor master is connected to the cable, or the transmitter has been disconnected from the current supply.
 - after changing the electrolyte or membrane body. In this case at least 6 hrs (InPro 6850i; 1 h) of polarization must follow.
- 2 Polarization time: Time span during which the sensor is under a polarization voltage.



Important! Setting of the polarization voltage on the transmitter for correct measurements:

- Standard applications InPro 6850i: **–675 mV**

- Measurement of permanently low oxygen concentrations (<500 ppb in liquids or <10,000 ppm [vol.] in gases) in the presence of volatile acidic components (e.g. carbon dioxide during measurements in breweries) e.g. InPro 6900 i/6950 i: **-500 mV**



Note: To ensure the supply of the correct polarization voltage the transmitter must be set accordingly.

5.2 Calibration

5.2.1 Purpose of calibration

Each oxygen sensor has its own individual slope and own individual zero point. Both values are subject to change, for example, through electrolyte consumption or after exchange of electrolyte or membrane body. To ensure high measurement accuracy of the sensor, a calibration must be carried out regularly, but at least after each change of electrolyte or membrane. Prior to calibration, the sensor has to be polarized for at least 6 hours (InPro 6850 i; 1 h).



Please remove the protection cap from the sensor, rinse the sensor with water and air dry it before starting calibration.



To check if your sensor needs a recalibration, you may dry it and take it in the air to check that the reading is close to 100%. If not, then the sensor needs a new calibration.

With ISM sensors all calibration data are stored in the sensor.

5.2.2 What you have to know for calibration

Calibration is generally carried out at the polarization voltage at which measurements are taken.

Zero point calibration is recommended:

- when measuring less than 5 ppb in liquids
- when measuring less than 125 ppm (by vol.) in gases



General remarks:

- For calibration in air, the sensor membrane must be dry, since adhering water drops can falsify the measured oxygen value.
- Make sure that the oxygen saturation index of the calibration medium is correct and remains constant during calibration.
- In the event of calibration in water or sample medium, the calibration medium must be in equilibrium with the air. Oxygen exchange between water and air is very slow. Therefore it takes quite a long time until water is saturated with atmospheric oxygen.

- For correct calibration, a minimum flow rate of the calibration medium is necessary.
- Make sure that all other parameters, such as temperature and pressure, are constant.

For continuous applications, we recommend **periodic recalibration in line with your requirements on accuracy, the type of process in operation and your own experience**. The frequency of the need for re-calibration depends very much on the specific application, and therefore appropriate intervals cannot be exactly defined here.

5.2.3 Single point calibration

By carrying out a single point calibration, the factual slope of the sensor can be established. The calibration medium can be water with known oxygen saturation index (e.g. air-saturated water) or air with known water-vapor saturation (e.g. water-vapor saturated air).

After the sensor signal has stabilized, the complete measuring system can then be calibrated to the 100 % value of the desired measurable variable, e.g. 100 % air, 20.95 % O₂, or 8.26 ppm at 25 °C (77 °F) and normal pressure (see instruction manual for the transmitter).

5.2.4 Dual point calibration

By carrying out a dual point calibration both slope and zero point of the sensor can be established.



Important! In case of a dual point calibration, always start by the zero point calibration before calibrating the slope.

As a rule, the zero point should be adjusted to zero manually, or it is automatically performed by the transmitter (see instruction manual for the transmitter).

Zero point calibration is recommended:

- when measuring less than 5 ppb in liquids
- when measuring less than 125 ppm (by vol.) in gases



Attention! Incorrect zero point calibration is a frequent source of measurement error. For correct calibration, we recommend the use of carbon dioxide gas with a level of purity of at least 99.9995 %.

After the sensor signal has stabilized (after **6...12 hours**), the sensor can be calibrated through the relevant transmitter to the zero % value of the desired measurable variable, e.g. 0 % air, 0.0 % O₂, or 0.0 ppm (see instruction manual for the transmitter).

6 Maintenance

6.1 Inspection of the sensor

6.1.1 Visual inspection

To check your sensor, we recommend the following procedure:

- The contacts of the connector must be dry. Moisture, corrosion and dirt in the connector can lead to false readings.
- Check the cable for buckling, brittle areas or ruptures.
- Before calibration always examine the membrane foil optically for signs of damage. The foil must be intact and clean. Dirty membranes should be wiped clean using a soft, moist tissue.



Note: An undulated membrane has no influence on the sensor performance, assuming the membrane is intact.

- The membrane body must be replaced if the sensor has too long a response time, the reading is unstable or subject to drift, and if the sensor cannot be calibrated or the membrane shows sign of mechanical damage.
- Check the cathode area for discoloration, contamination or cracks in the glass. If necessary rinse with demineralized water and clean with a clean soft brush or soft paper tissue.



Attention! Do not use any cleaning agents containing alcohol. This could damage the sensor or lead to a faulty current.

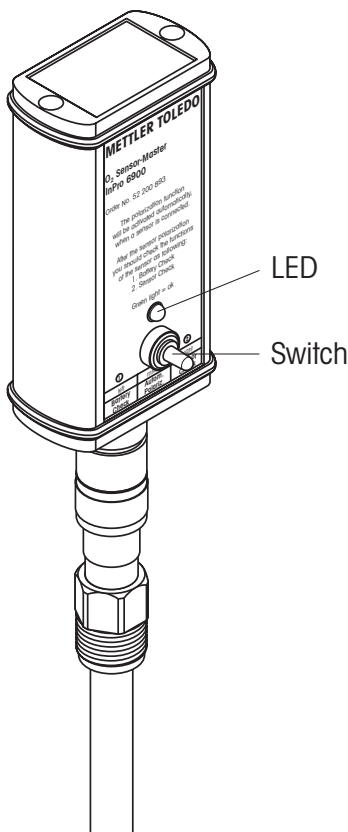


Attention! The glass body is fragile and sensitive to vibration.

6.1.2 Testing the METTLER TOLEDO O₂ sensor master

We recommend using the METTLER TOLEDO O₂ sensor master to check the quality of your sensor as follows:

- **Connect the sensor to the O₂ sensor master.**



As soon as the sensor is connected to the O₂ sensor master, the polarization function is automatically activated. Please note: if the sensor was disconnected from the transmitter for longer than 5 minutes, the sensor must be polarized first (polarizing time see "Section 5.1") to get representative test results.

- **Battery Check:**
Push the switch to the left. If the battery is ok and the O₂ sensor master is operational the green LED lights up. Otherwise, please consult the instruction manual of the O₂ sensor master.
- **Sensor Check:**
For this test the O₂ sensor must be fully polarized and the membrane of the sensor must be dry and clean.

Expose the sensor (connected to O₂ sensor master) to the air. By pushing the switch to the right to the position "2 – Sensor check", the O₂ sensor master checks whether the electrode current for air measurement delivered by the sensor is within the admissible range, i.e. 2500 to 6000 nA for InPro 6950.

If the green LED lights up the current for air measurement is within the admissible range.

If the LED does not light up, you should check the battery of the O₂ sensor master (see instruction manual "Accessories"). If the battery is working, then there is probably a problem with the sensor. You should change the electrolyte and/or the membrane body of the sensor. If after a membrane change the LED still does not light up, this means that there is possibly something wrong with the interior body of the sensor. You should then change it (see "Section 6.2").



Important! The Sensor Check function only verifies the correctness of the electrode current for air measurement. In order to be absolutely sure of the functionality of the sensor, the residual signal in an oxygen free medium should also be controlled (see "Section 6.1.3").

6.1.3 Testing the sensor via a transmitter

A periodic zero current measurement is recommended for verification of proper sensor function.



Note: At the time you carry out the zero current measurement, the sensor must be polarized.

Zero current measurement can be done by using zeroing gel (order no. 30 300 435) or nitrogen (N₂) or carbon dioxide (CO₂) calibration gases with a purity of at least 99.995 %, or alternatively in a sample medium saturated with one of these gases.

After 2 minutes in an oxygen-free sample medium, the reading on the transmitter should drop to below 10 % of the reading in ambient air, and within 10 minutes the value should have dropped to below 1 %.

If the measured values are too high, this suggests a depleted electrolyte or a defective membrane. In the first instance replace the electrolyte, and in the second case exchange both the membrane body and the electrolyte accordingly.

If after such procedures the above mentioned values are still not reached, replace the interior body. If this does not solve the problem send the sensor to your local METTLER TOLEDO representative for inspection.

Many sample media contain volatile substances which, even at very low concentrations, have a clearly perceptible smell. Similarly to oxygen, these substances are able to invade the electrolyte through the gas-permeable membrane. Accordingly, they become noticeable when changing the electrolyte. In most cases, such substances have absolutely no influence on the measuring properties of the sensor. Slight discoloration of the electrolyte also has no effect on the measuring properties.

6.1.4 ISM design

The integrated ISM functionality allows extensive monitoring of the sensor. The following parameters are stored in the sensor:

- serial no.
- type of sensor
- order no.
- calibration data
- CIP/SIP counter
- slope
- zero point

6.2 Changing the electrolyte, the membrane body or the interior body



Note: The InPro 6900 i and 6950 i use a special electrolyte which contains an oxygen scavenger. This electrolyte ensures fast response time and together with the guard ring increases the signal stability of the sensor. The electrolyte must be exchanged on a regular basis or when the sensor has been exposed to the air for more than 24 hours without a watering cap filled with conditioning solution.



Note: The content of the electrolyte bottle has to be used within 3 months after opening.

If the membrane and/or the interior body exhibits signs of failure (long response time, increased current in an oxygen-free medium, mechanical damage, etc.) the membrane body and/or the interior body has to be replaced.



Warning! The O₂ electrolyte has an alkaline pH value. Contact of electrolyte with mucous membranes or eyes is to be avoided. Therefore protective gloves and safety glasses have to be worn for the following dismantling works. If such contact occurs, the affected area should be well rinsed with water. In the case of accident, or should ever any adverse signs appear, get immediate medical attention.

When changing the electrolyte, the membrane body or the interior body, please observe the following instructions (see also the following illustration):



Attention! Make sure that this maintenance step is carried out in a clean place.

1. Unscrew the cap sleeve from the sensor shaft and carefully pull it off the sensor.
2. Pull off the membrane body from the interior body. If it is tightly fitted, eject by pushing it with a flat finger tip. Before electrolyte is refilled, the membrane body must be removed from the cap sleeve!
3. Rinse the interior body with demineralized water and carefully dab it dry with a paper tissue.



Note: steps 4 to 7 may only be carried out when changing the interior body.

4. Unscrew the retainer nut of the interior body with an adjustable wrench or with a 9 mm wrench.
5. Remove the interior body by pulling it out of the sensor shaft. If necessary use pliers.

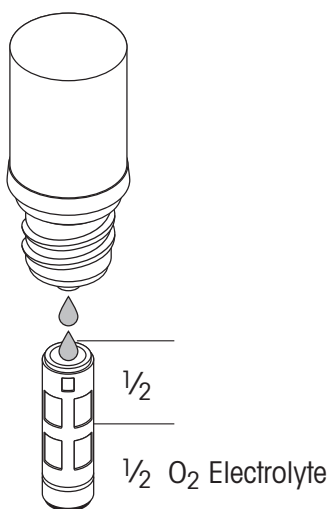


Warning! Do not twist the interior body. Otherwise the connection pins can be damaged.

6. Insert the new interior body in the sensor shaft. Turn the interior body in the shaft until the slit of the interior body is aligned with the pin placed in the shaft.
7. Press the body in the shaft and screw the new retainer nut in place.
8. Examine the O-rings visually for mechanical defects, and replace if necessary.
9. Half-fill the new membrane body with O₂ electrolyte.



Note: The electrolyte bottle is equipped with a special pouring system. To ensure proper functioning, hold the bottle vertically, upside-down.





Note: Make sure that all air bubbles are removed from the membrane body. Air bubbles can be removed by carefully tapping on the membrane body.

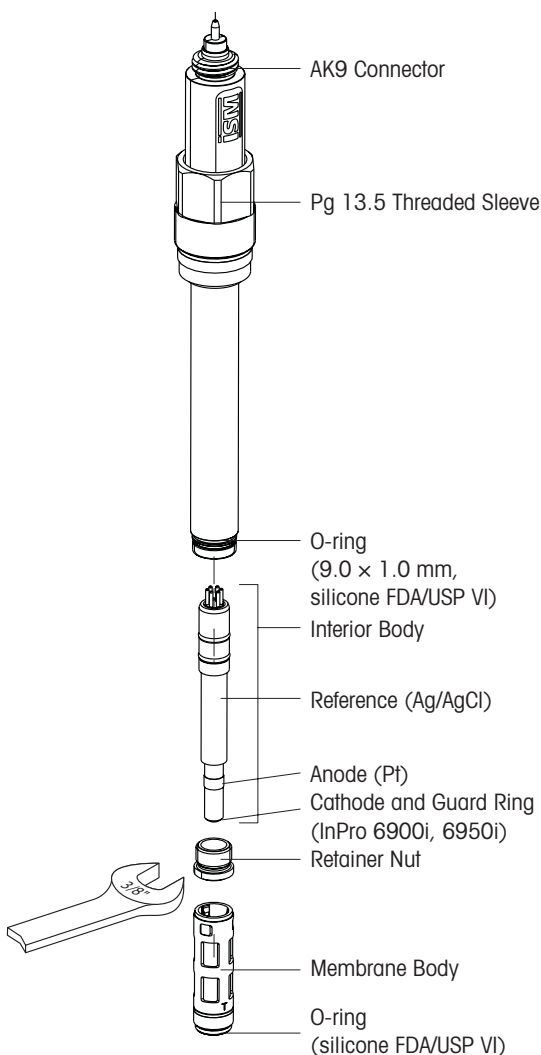
10. Slip the membrane body over the interior body while holding the sensor in a vertical position. Excess electrolyte will be displaced and has to be removed with a paper tissue.



Important! No electrolyte, sample media or contamination may be present between the membrane body and the cap sleeve. Please check carefully!

11. Carefully slip the cap sleeve over the fitted membrane body, holding the sensor in a vertical position and screw it tight. The cap sleeve must be clean and dry.
12. After each exchange of electrolyte or membrane body, the sensor has to be repolarized and recalibrated.

Replacement of the interior body



7 Storage

For storage periods longer than 24 hours, we recommend you use a protection cap filled with the same cleaning and conditioning solution as that used for our portable DO measurement system (order no. 52 200 255). This solution contains an oxygen scavenger which ensures that the electrolyte of the sensor does not come into contact with oxygen when not in use.

When the sensor is stored without polarization for more than one week, the electrolyte has to be removed.

Prepare the cleaning and conditioning solution as follows: Dissolve one tablet in 40 ml of deionized water and wait 5 minutes for the tablet to be completely dissolved. Fill the protection cap with this solution and place it over the tip of the sensor. This solution has some cleaning properties which will keep the membrane free of microorganisms. In case you do not have a cleaning and conditioning set, you may also use zeroing gel or deaerated water in the protection cap. Before mounting the sensor in the process, always remove the protection cap and rinse the tip of the sensor with water.



Attention! If the storage period of the sensor without current supply (transmitter, sensor master) exceeds 1 week, the sensor should be stored dry, i.e. without any electrolyte in the membrane body. A sensor being stored dry (without electrolyte in the membrane body) may on no account be connected to the O₂ sensor master or any other polarization module.

8 Product specification

8.1 Certificates

Each sensor is delivered with a set of **3.1 certificates** (complying with EN 10204).

All wetted metal parts (sensor shaft, cap sleeve and membrane body) are identified with an engraved symbol corresponding to the heat number on the paper certificate delivered with the sensor.

Each wetted metal part (sensor shaft, cap sleeve and membrane body) is polished in order to get a surface roughness lower than 0.4 µm (16 µin). This represents a roughness grade number of N5 (according to ISO 1320:1992).

8.2 Specifications

| InPro 6850 i/6900 i/6950 i | |
|---|---|
| Measurement principle | Polarographic Clark electrode |
| Working conditions | |
| Pressure resistance (measurement) | 6850i: 0.2 ... 6 bar 6900i: 0.2 ... 6 bar (9 bar with T-6900R) 6950i: 0.2 ... 6 bar |
| Mechanical pressure resistance | Max. 12 bar |
| Temperature range (measurement) | 0 ... 80 °C (32 ... 176 °F) |
| Temperature range (mechanical) | 6850i: - 5 ... 140 °C (23 ... 284 °F) 6900i: - 5 ... 121 °C (23 ... 249.8 °F) [sterilizable and autoclavable] 6950i: - 5 ... 121 °C (23 ... 249.8 °F) [sterilizable] |
| Construction | |
| Temperature compensation | Automatic |
| Cable connection | AK9 |
| O-ring material | Silicone FDA and USP Class VI approved |
| Membrane material | PTFE/Silicone/PTFE (reinforced with steel mesh) |
| Material sensor body (wetted parts) | 316L stainless steel |
| Surface roughness of wetted metal parts | N5 (R _a = 0.4 µm [16 µin]) |
| Quick disconnect interior body | Standard |
| Cathode | Pt |
| Anode | 6850i: Pt 6900i: Ag 6950i: Pt |
| Guard ring | 6850i: - 6900i: Pt 6950i: Pt |
| Reference | Ag |
| Dimensions | |
| Sensor diameter | 6850i: 12/25 mm 6900i: 12 mm 6950i: 12 mm |
| Immersion length (a) for 12 mm sensor | 6850i/6900i: 70, 120, 220, 320, 420 mm (2.8, 4.7, 8.66, 12.6, 16.5") 6950i: 70, 120, 220, 320 mm (2.8, 4.7, 8.66, 12.6") |
| Immersion length (a) for 25 mm sensor | 6850i: 80, 160, 260, 360 mm (3.2, 6.3, 10.2, 14.2") 6900i: - 6950i: - |
| Performance | |
| Detection limit | 6850i: 6 ppb to saturation 6900i: 1 ppb to saturation 6950i: 0.1 ppb to saturation |
| Accuracy | 6850i: ≤ ± (1 % + 6 ppb) 6900i: ≤ ± (1 % + 1 ppb) 6950i: ≤ ± (1 % + 0.1 ppb) |
| Response time at 25 °C/77 °F | 98 % of final value in < 90 s |

| | |
|---|--|
| Sensor signal in ambient air at 25 °C/77 °F | 6850 i: 50 ... 110 nA 6900 i: 250 ... 500 nA 6950 i: 2500 ... 5000 nA |
| Residual signal in oxygen-free medium | 6850 i: <0.1 % of the signal 6900 i: <0.3 % of the signal 6950 i: <0.025 % of the signal |

Certification

| | |
|----------------------------------|-----------------------------------|
| EHEDG, 3A | Yes |
| 3.1 (EN 10204) | Yes |
| ATEX, IECEx and UKEX Certificate | 6850 i/6900 i: Yes 6950 i: Yes |
| FM Approval | 6850 i/6900 i: Yes 6950 i: Yes |
| FDA/USP VI | Yes |
| Quality Control | Yes |

Compatibility

| | |
|----------------------------------|-------------------|
| with METTLER TOLEDO transmitters | see "Section 9.4" |
| with METTLER TOLEDO housings | see "Section 9.5" |

9 Ordering information

For more detailed information refer to the technical data sheet or ask your local distributor.

9.1 Sensors with ISM functionality

Ordering Information

| – straight version | 6850i | 6900i | 6950i |
|--------------------|------------|------------|------------|
| 70 mm | 52 206 118 | 52 206 316 | 52 206 127 |
| 120 mm | 52 206 119 | 52 206 317 | 52 206 128 |
| 220 mm | 52 206 120 | 52 206 318 | 52 206 129 |
| 320 mm | 52 206 121 | 52 206 319 | 52 206 130 |
| 420 mm | 52 206 122 | – | – |
| – 25 mm version | | | |
| 80 mm | 52 206 123 | – | – |
| 160 mm | 52 206 124 | – | – |
| 260 mm | 52 206 125 | – | – |
| 360 mm | 52 206 126 | – | – |

9.2 Accessories

| Accessories | Order No. |
|--|------------|
| O ₂ sensor master digital ISM | 52 206 329 |
| Cables | |
| AK9 coax cable with K8S connector 1 m | 59 902 167 |
| AK9 coax cable with K8S connector 3 m | 59 902 193 |
| AK9 coax cable with K8S connector 5 m | 59 902 213 |
| AK9 coax cable with K8S connector 10 m | 59 902 230 |
| AK9 coax cable with K8S connector 20 m | 52 300 204 |

9.3 Spare parts

| Spare parts | Order No. |
|--|------------|
| – InPro 6850i | |
| Membrane body (single), T-96 | 52 200 071 |
| Membrane kit T-96 (4 membranes, 1 O-ring set silicone, 25 ml of electrolyte, wetted parts SS 316L) | 52 200 024 |
| Membrane bodies (16 pcs), T-96 | 52 206 114 |
| O ₂ Electrolyte pack (3 × 25 ml) | 30 298 424 |
| Interior body (replacement), InPro 6850i | 52 206 347 |
| – InPro 6900i | |
| Reinforced membrane body (single), InPro 6900 (T-6900R) | 52 201 108 |
| Reinforced membrane kit InPro 6900 (T-6900 R) | 52 201 109 |
| InPro 6900 electrolyte pack (3 × 5 ml) | 30 298 425 |
| Interior body (replacement), InPro 6900 | 52 200 943 |
| – InPro 6950i | |
| Membrane body (single) | 52 206 105 |
| Membrane kit (4 membranes, 1 O-ring set, 2 × 5 ml of electrolyte) | 52 206 106 |
| InPro 6950 electrolyte pack (3 × 5 ml) | 30 298 426 |
| Interior body (replacement), InPro 6950 | 52 206 112 |

9.4 Recommended transmitters

| Transmitters M700 | Order No. |
|--|------------------|
| Transmitter base, coated, M700C | 52 121 171 |
| Transmitter base, coated, Ex, VPW, M700XC/VPW | 52 121 172 |
| Transmitter base, coated, Ex, 24V, M700XC/24V | 52 121 173 |
| Transmitter base, stainless steel, M700S | 52 121 174 |
| Transmitter base, stainless steel, Ex, VPW, M700XS/VPW | 52 121 175 |
| Transmitter base, stainless steel, Ex, 24V, M700XS/24V | 52 121 176 |

| Transmitter modules M700 | Order No. |
|--|------------------|
| ISM O ₂ module 4700i | 52 121 263 |
| ISM O ₂ module, Ex, 4700iX | 52 121 263 |
| ISM O ₂ module 4700i ppb | 52 121 265 |
| ISM O ₂ module, Ex, 4700iX ppb | 52 121 266 |
| ISM O ₂ module 4700i traces | 52 121 295 |
| ISM O ₂ module, Ex, 4700iX traces | 52 121 294 |

| Transmitters M300D | Order No. |
|--|------------------|
| M300i, ¼DIN, single-channel, multi-parameter | 52 121 354 |
| M300i, ½DIN, single-channel, multi-parameter | 52 121 355 |
| M300i, ¼DIN, dual-channel, multi-parameter | 52 121 356 |
| M300i, ½DIN, dual-channel, multi-parameter | 52 121 357 |

| Transmitters M400 | Order No. |
|--------------------------|------------------|
| M400, type 1 | 52 121 348 |
| M400, type 2 | 52 121 349 |
| M400, type 3 | 52 121 350 |

For more information consult the "Parameter Fit Guide" below.

Parameter Fit Guide for Transmitter M400

| | M400 | M400 | M400 |
|-----------------------------|---------------|---------------|---------------|
| Conventional sensors | Type 1 | Type 2 | Type 3 |
| pH/ORP | • | • | • |
| Cond 2-electrode | • | • | • |
| Cond 4-electrode | • | • | • |
| DO ppm | – | • | • |
| DO ppb | – | – | • |
| ISM sensors | | | |
| pH/ORP | • | • | • |
| Cond 2-electrode | • | • | • |
| Cond 4-electrode | • | • | • |
| DO ppm | – | • | • |
| DO ppm optical | – | – | • |
| DO ppb | – | – | • |
| DO trace | – | – | • |

9.5 Recommended housings

Housing (12 mm Ø)

Static housing

InFit 761 CIP

Retractable housings

InTrac 777 e

InTrac 797 e

Immersion housing

InDip™ 550



Note: The housings are available in different versions. Please contact your local METTLER TOLEDO sales organization to get the correct ordering information.

10 Theory of the polarographic sensor

10.1 Introduction

Two types of electrodes are employed in analytical sensors **potentiometric** and **amperometric** electrodes.

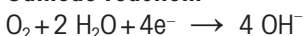
- **Potentiometric electrodes** develop a voltage generated by the activity of a particular ion. Examples of such electrodes are glass electrodes (like pH electrodes) and most ion-selective electrodes. Their individual potentials cannot be determined. The measurable quantity is the difference of potential between the measuring electrode and an inert reference electrode. The potential of the reference electrode must be constant.

All potentiometric electrodes are subject to Nernst's law and for this reason electrodes and measuring instruments are in most cases interchangeable. An important requirement of potentiometric measurements is the virtually currentless determination of the electrode voltage. During measurement no chemical reaction occurs and the solution remains in equilibrium.

- In the case of **amperometric electrodes**, such as the **oxygen electrode**, activity measurement is based on a current measurement.

The conventional oxygen electrode consists of a cathode and an anode conductively connected by an electrolyte. A suitable polarization voltage between the anode and the cathode selectively reduces the oxygen at the cathode.

Cathode reaction:



These chemical reactions result in an electric current which is proportional to the oxygen partial pressure ($p\text{O}_2$). The oxygen electrode constantly reduces oxygen. Thereby, the concentration of dissolved oxygen is reduced. By diffusion this oxygen is replaced. The viscosity and flow rate of the solution are therefore important parameters. The electrode current of an oxygen electrode is determined not only by the oxygen partial pressure but by many other electrode parameters. The electrode currents of different electrode types may differ by several powers of ten. For this reason oxygen electrodes and amplifiers cannot be freely interchanged.

10.2 Principle of the design of an oxygen electrode

There are two main types of oxygen electrode:

- Electrodes **without** membrane
- Electrodes **with** gas-permeable membrane (Clark Principle)

The membrane electrode according to Clark is today most widely used. As compared to the electrode without membrane it possesses the following advantages:

- Oxygen measurement in gases and solutions
- No mutual contamination of electrode and solution
- No or little dependency on flow

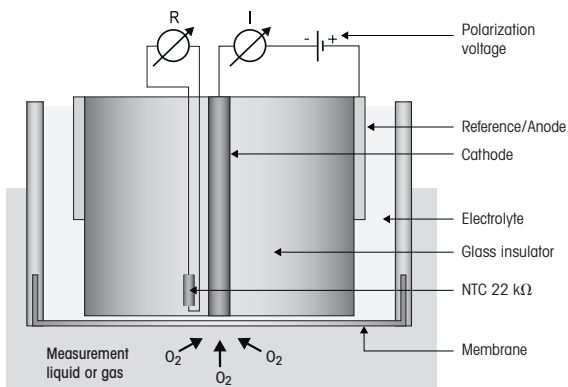
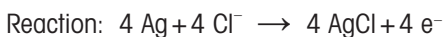
In the case of the Clark electrode, geometrical configuration is very important. In particular, the thickness of the electrolyte film between the cathode and the membrane must be within narrow tolerances so as to ensure good linearity and a low zero current (current in a nitrogen atmosphere).

METTLER TOLEDO oxygen sensors are available in different designs:

Type A, 2 electrode system, InPro 6800

InPro 6800 for medium and high oxygen concentrations. Cathode and anode/reference. Anode and reference are united in a silver/silver chloride electrode.

The following equilibration reaction takes place at the anode resp. reference:



Type B, 3 electrode system, InPro 6850 i

InPro 6850i for medium and high oxygen concentrations. The reference corresponds the conventional silver/silver chloride anode. The anode is a platine electrode and separated from the reference.

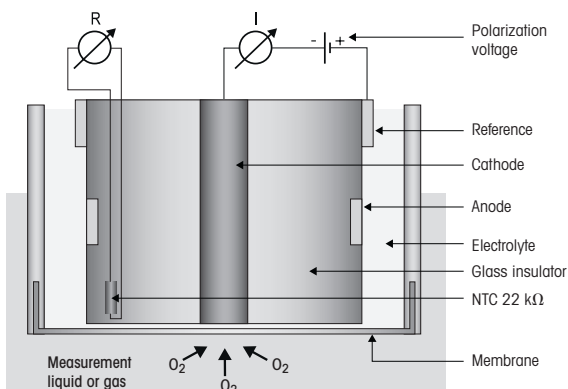
The following reaction takes place at the anode:



The reference is a silver/silver chloride electrode. After polarization there is a stable equilibrium between electrode surface and electrolyte. No net-reaction takes place.

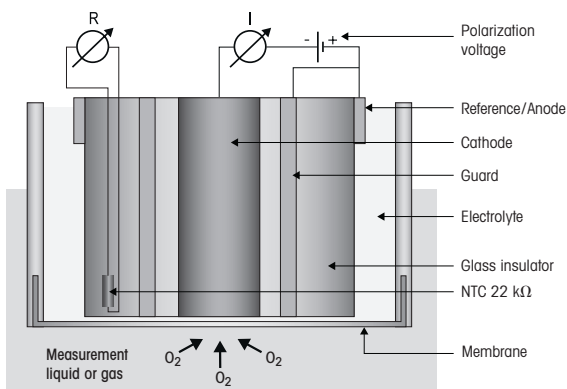
Reference reaction in equilibrium:

Reaction: No current



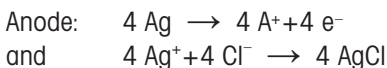
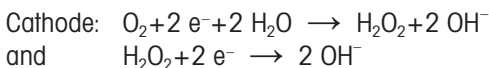
Type C, 3 electrode system, InPro 6900 (i)

InPro 6900 and InPro 6900 i. For oxygen measurements in the lower ppb range. Here, the anode and reference are united in a silver/silver chloride electrode (as with type A). The sensors are equipped with an additional guard ring around the cathode. Like the cathode with the anode, this forms a closed electric circuit, which prevents oxygen diffusing from the side to the cathode and falsifying the measurement result.

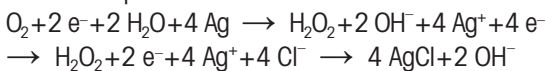


In all sensors the function of the cathode is identical.

Between cathode and reference a constant voltage of -500 resp. -675 mV (polarization voltage) is applied. Thereby a reduction of O_2 into OH^- at the cathode takes place.



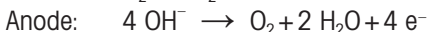
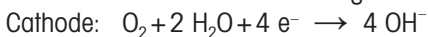
The total equation thus is:



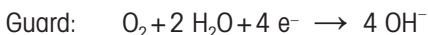
Type D, 4 electrode system, InPro 6950 (i)

The InPro 6950(i) is intended for measuring permanent low oxygen levels down to 0.1 ppb. In terms of measurement principle it is a combination of the InPro 6850i and InPro 6900(i). It consists of 4 electrodes. The anode (platinum) and reference (silver/silver chloride) are separated in two electrodes. A guard ring is placed around the cathode. The cathode has the highest diameter of all amperometric oxygen sensors from METTLER TOLEDO.

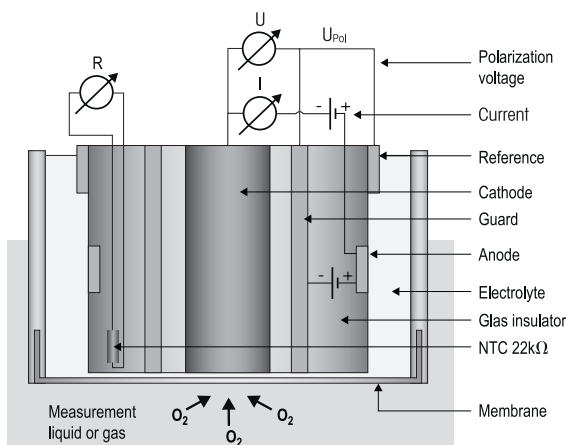
The electrodes show the following reactions:



Reference: No current



Due to the larger surface of the cathode a higher current appears during measurement. This allows for measurement of oxygen levels below 1 ppb.



As a consequence of the reaction at the cathode and the anode, a current flows between cathode and anode (4 electrons per oxygen molecule), which is proportional to the oxygen partial pressure at the cathode.

The amperage of the current flow depends on the surface area of the cathode. Typical values are:

| | Air current | Zero current in % of the air current |
|----------|--------------------|---|
| 6800 | 50–110 nA | <0.1 |
| 6850 (i) | 50–110 nA | <0.1 |
| 6900 (i) | 250–500 nA | <0.03 |
| 6950 i | 2500–5000 nA | <0.025 |

This current is measured and converted and indicated in the transmitter into an oxygen value. In ISM sensors this computation takes place in the sensor and the transmitters displays this value.

10.3 Parameters determining current

The quantity of oxygen diffused in and the magnitude of the electrode current are influenced by the following parameters:

- Oxygen partial pressure of the solution
- Membrane material and thickness
- Size of cathode
- Polarization voltage
- Temperature
- Flow conditions in the solution

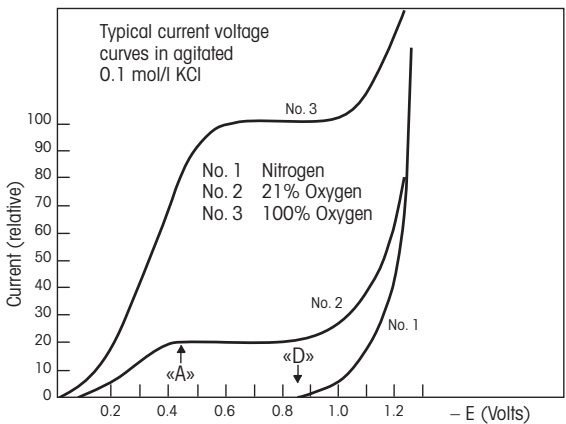
Fick's law gives the mathematical relationship between these parameters:

$$I = k \times D \times a \times A \times \frac{pO_2}{x}$$

- I = Electrode current
- k = Constant
- D = Coefficient of diffusion of O₂ in the membrane
- a = Solubility of O₂ in the membrane material
- A = Cathode surface
- pO₂ = Oxygen partial pressure in the solution
- x = Thickness of gas-permeable membrane

10.4 Polarization voltage

The voltage between the anode and the cathode is so selected that the oxygen is fully (> A, see polarogram) reduced while other gases are unaffected (< D). The ideal voltage for the Pt/Ag/AgCl or Pt/Pt/Ag/AgCl system is between –500 and –750 mV.



The polarization voltage should remain as constant as possible. Besides a constant source of voltage the following prerequisites must be met: The electrical resistance of electrolyte film must not exceed a particular value so as to avoid a voltage drop.

The anode must have a large surface so as to prevent polarization of the anode by the electrode current.

10.5 Temperature

The temperature dependence of the current passing through an oxygen electrode when referred to a constant O₂ partial pressure is determined mainly by the properties of the gas-permeable membrane.

10.6 Dependence on flow

With most oxygen electrodes the electrode current is smaller in stagnant solutions than in agitated ones. In consequence of the oxygen consumption of the electrode, a reduction of oxygen takes place outside the membrane in close proximity to the cathode. The missing oxygen is replaced by diffusion. If the electrode current is strong, the solution cannot fully restore the reduced oxygen by diffusion. This results in an electrode current weaker than would correspond to conditions in the solution. In agitated solutions the oxygen is conveyed to the surface of the membrane not only by diffusion but additionally by the flow (convection). In that case no oxygen impoverishment occurs at the membrane surface.

A high degree of flow dependence occurs mainly with large cathodes, and thin and highly permeable membranes, i.e. where electrode currents are large.

The problem of flow dependence is often solved by prescribing a minimum flow rate.

In METTLER TOLEDO InPro 6950 sensors, the thin PTFE membrane determining the electrode current (i.e. the actual measuring signal) is separated from the sample solution by a relatively thick silicone membrane. The latter is highly permeable to oxygen molecules and thus acts as an oxygen reservoir. The diffusion of oxygen out of the sample solution into the silicone membrane is spread over a wide area. Since this results in less oxygen being extracted from the sample solution per unit area, the double PTFE/silicone membrane forms an effective buffer against disturbances due to hydrodynamic flow.

This membrane coupled with the guard ring and the special electrolyte ensures excellent signal stability even when the hydrodynamic flow stops (as on a beer filling line for example).

10.7 Oxygen partial pressure – oxygen concentration

The electrode current is dependent on the partial pressure of oxygen and the oxygen permeability of the membrane. Conversion of partial pressure into concentration of oxygen depends on the measurement medium (measurement in liquids or gases).

Measurement in liquids

When measuring in liquids, the concentration of oxygen also depends on the solubility of the oxygen

in the measurement medium. However, since this is not measured by the sensor current, the concentration of oxygen must be calculated in the transmitter. To do this, Henry's law is applied which states that the concentration of oxygen is proportional to the partial pressure of oxygen (pO_2).

$$CI = pO_2 \times \alpha$$

α = Solubility factor

If " α " is constant, the oxygen concentration can be determined by means of the electrode. This applies at constant temperature and with dilute aqueous solutions such as drinking water.

The solubility factor is strongly influenced not only by the temperature but also by the composition of the solution:

| Medium, saturated with air | Solubility at 20 °C (68 °F) and 760 mm Hg |
|---------------------------------------|--|
| Water | 9.2 mg O ₂ /l |
| 4 mol/l KCl | 2 mg O ₂ /l |
| 50 % Methanol-water | 21.9 mg O ₂ /l |

Although the solubilities vary widely, the oxygen electrode gives the same reading in all three solutions.

Thus, determination of the oxygen concentration is only possible with constant and known solubility factors " α ".

Solubility may be determined by a Winkler titration or the method developed by Käppeli and Fiechter.

Measurement in gases

The concentration of oxygen when measuring in gases is always given as a proportion by volume of the gas composition. Common units are % (by vol.) ppm (by vol.).

They can simply be converted from one unit of measurement to the other.

Example:

The percent by volume of the composition of air is generally known. For example, air contains 20.95 % oxygen. This corresponds to 209,500 ppm (by vol.). (Conversion: ppm value = 10,000 × value in %)

References

- W. M. Krebs, I. A. Haddad Develp. Ind. Microbio., 13, 113 (1972)
- H. Bühler, W. Ingold GIT 20, 977 (1976)
- W.M. Krebs, MBAA Techn. Quart. 16, 176 (1975)
- D.P. Lucero, Ana. Chem. 40, 707 (1968)

InPro 6850 i, 6900 i & 6950 i O₂-Sensoren

Bedienungsanleitung

InPro, InDip, InFit, ISM und InTrac sind Markenzeichen
der METTLER TOLEDO Gruppe.

Inhalt

| | | |
|------------|--|-----------|
| 1. | Einleitung | 44 |
| 2. | Wichtige Hinweise | 45 |
| 2.1 | Hinweise zur Bedienungsanleitung | 45 |
| 2.2 | Bestimmungsgemässe Verwendung | 45 |
| 2.3 | Sicherheitshinweise | 46 |
| 2.4 | Umweltschutz | 48 |
| 2.5 | Einige typische Applikationsbeispiele | 48 |
| 2.6 | Einsatz im Ex-Bereich | 48 |
| 2.7 | Ex-Klassifikation ATEX | 49 |
| 2.7.1 | Einleitung | 49 |
| 2.7.2 | Nenndaten | 49 |
| 2.7.3 | Besondere Bedingungen | 50 |
| 2.8 | Ex-Klassifikation FM | 51 |
| 2.8.1 | Einleitung | 51 |
| 2.8.2 | Nenndaten | 52 |
| 2.8.3 | Besondere Bedingungen | 52 |
| 2.8.4 | Angewandte Normen: | 53 |
| 3. | Produktbeschreibung | 54 |
| 3.1 | Allgemein | 54 |
| 3.2 | Funktionsprinzip | 54 |
| 3.3 | Lieferumfang | 55 |
| 3.4 | Produktübersicht | 56 |
| 4. | Installation | 57 |
| 4.1 | Einbau des Sensors | 57 |
| 4.2 | Sensor anschliessen | 57 |
| 4.2.1 | AK9-Kabel an den Sensor anschliessen | 57 |
| 4.2.2 | Anschluss des AK9-Kabels am Transmitter | 58 |
| 5. | Betrieb | 59 |
| 5.1 | Inbetriebnahme und Polarisierung | 59 |
| 5.2 | Kalibrierung | 60 |
| 5.2.1 | Zweck der Kalibrierung | 60 |
| 5.2.2 | Was müssen Sie bei der Kalibrierung beachten | 60 |
| 5.2.3 | Einpunktkalibrierung | 61 |
| 5.2.4 | Zweipunktkalibrierung | 61 |
| 6. | Wartung | 62 |
| 6.1 | Kontrolle des Sensors | 62 |
| 6.1.1 | Visuelle Kontrolle | 62 |
| 6.1.2 | Kontrolle des Sensors mit dem METTLER TOLEDO O ₂ Sensor-Master | 63 |
| 6.1.3 | Kontrolle des Sensors mit dem Transmitter | 64 |
| 6.1.4 | ISM-Ausführung | 65 |
| 6.2 | Ersetzen des Elektrolyten, des Membrankörpers oder des Innenkörpers | 65 |
| 7. | Lagerung | 68 |
| 8. | Produktspezifikationen | 68 |
| 8.1 | Zertifikate | 68 |
| 8.2 | Technische Daten | 69 |
| 9. | Bestellinformationen | 71 |
| 9.1 | Sensoren mit ISM-Funktionalität | 71 |
| 9.2 | Zubehör | 71 |
| 9.3 | Ersatzteile | 71 |
| 9.4 | Empfohlene Transmitter | 72 |
| 9.5 | Empfohlene Armaturen | 73 |
| 10. | Theorie der polarographischen Sensoren | 74 |
| 10.1 | Einführung | 74 |
| 10.2 | Prinzipieller Aufbau von Sauerstoffelektroden | 75 |
| 10.3 | Einflussgrössen auf den Elektrodenstrom | 78 |
| 10.4 | Polarisationsspannung | 79 |
| 10.5 | Temperatur | 79 |
| 10.6 | Strömungsabhängigkeit | 79 |
| 10.7 | Sauerstoffpartialdruck – Sauerstoffkonzentration | 80 |

1 Einleitung

Wir danken Ihnen, dass Sie einen **InPro™ 6850 i/6900 i/6950 i Sensor von METTLER TOLEDO** erworben haben.

Die Sensoren der InPro-Serie sind nach dem heutigen Stand der Technik und den zur Zeit anerkannten sicherheitstechnischen Regeln gebaut. Dennoch können bei unsachgemässer Anwendung Gefahren für den Anwender oder Dritte und/oder Beeinträchtigungen der Anlage und anderer Sachwerte entstehen.



Die vorliegende Bedienungsanleitung muss deshalb vor Beginn von Arbeiten an den Sensoren von den betreffenden Personen gelesen und verstanden werden.

Bitte bewahren Sie die Bedienungsanleitung an einem sicheren Ort auf, wo sie für jeden Anwender jederzeit zur Hand ist.

Wenn Sie Fragen haben, die in dieser Bedienungsanleitung nicht oder nicht ausreichend beantwortet werden, nehmen Sie bitte mit Ihrem METTLER TOLEDO Vertreter Kontakt auf. Er wird Ihnen gerne weiterhelfen.

2 Wichtige Hinweise

2.1 Hinweise zur Bedienungsanleitung

Die vorliegende Bedienungsanleitung enthält alle Angaben, um den Sensor InPro 6850i/6900i/6950i sicher, sachgerecht und bestimmungsgemäss einzusetzen.

Die Bedienungsanleitung richtet sich an das mit der Bedienung und der Instandhaltung des Sensors betraute Personal. Es wird vorausgesetzt, dass diese Personen Kenntnisse der Anlage besitzen, in der die Sensoren eingebaut sind.

Warnhinweise und Symbole

In dieser Bedienungsanleitung werden Sicherheitshinweise und Zusatzinformationen mit folgenden Piktogrammen gekennzeichnet:



Dieses Piktogramm kennzeichnet Sicherheits- und Gefahrenhinweise, deren Missachtung zu Personen und/oder Sachschäden führen kann.



Dieses Piktogramm kennzeichnet Zusatzinformationen und Anweisungen, deren Missachtung zu Defekten, ineffizientem Betrieb oder zum Ausfall der Produktion führen kann.

2.2 Bestimmungsgemässe Verwendung

METTLER TOLEDO InPro 6850i/6900i/6950i Sensoren dienen zur Inline-Messung des Sauerstoffpartialdrucks in Flüssigkeiten und Gasen gemäss den Angaben in dieser Bedienungsanleitung.

Eine andere oder darüber hinausgehende Benutzung, als in dieser Bedienungsanleitung beschrieben, gilt als nicht bestimmungsgemäss.

Für hieraus resultierende Schäden haftet der Hersteller/Lieferant nicht. Das Risiko trägt allein der Anwender.

Zur bestimmungsgemässen Verwendung gehören des Weiteren:

- Die Beachtung der Anweisungen, Vorschriften und Hinweise in der vorliegenden Bedienungsanleitung.
- Die regelmässige Inspektion, Wartung und Funktionsprüfung der eingesetzten Komponenten liegt in der Verantwortung des Anwenders. Die Beachtung der lokalen Vorschriften zur Arbeits- und Anlagensicherheit sind dabei einzuhalten.
- Die Einhaltung aller Hinweise und Warnvermerke in den Publikationen zu den Produkten, die zusammen mit dem Sensor verwendet werden (Armaturen, Transmitter etc.).
- Die Einhaltung aller Sicherheitsvorschriften der Anlage, in die der Sensor eingebaut wird.

- Der korrekte Betrieb unter Beachtung der vorgeschriebenen Umwelt- und Betriebsbedingungen und der zulässigen Einbaulagen.
- Bei Unklarheiten soll unbedingt Rücksprache mit METTLER TOLEDO Process Analytics genommen werden.

2.3 Sicherheitshinweise



- Der Anlagenbetreiber muss sich über eventuelle Risiken und Gefahren seines Prozesses bzw. Anlage bewusst sein. Der Anlagenbetreiber ist verantwortlich für die Ausbildung des Betriebspersonals, für die Kennzeichnung möglicher Gefahren und für die Auswahl geeigneter Instrumentierung anhand des Stands der Technik.
- Das Betriebspersonal, welches an der Inbetriebsetzung, Bedienung oder Wartung dieses Sensors oder eines seiner Zusatzprodukte (Armaturen, Transmitter etc.) beteiligt ist, muss zwingend in den Produktionsprozess und die Produkte eingewiesen sein. Dazu gehört auch das Lesen und Verstehen dieser Betriebsanleitung.
- Die Sicherheit von Betriebspersonal und Anlagen liegt schlussendlich in der Verantwortung des Anlagenbetreibers. Dies gilt insbesondere für Anlagen in explosionsgefährdeten Bereichen.
- Der eingesetzte Sauerstoffsensor und zugehörige Komponenten haben keinen Einfluss auf den Prozess und können diesen nicht im Sinne einer Regelung oder Steuerung beeinflussen.
- Wartungs- und Serviceintervalle hängen von den Einsatzbedingungen, der umgebenen Substanzen, der Anlage und der Sicherheitsrelevanz des Messsystems ab. Kundenprozesse variieren stark, so dass Angaben, soweit diese vorgegeben sind, nur als Richtwerte dienen und in jedem Fall durch den Anlagenbetreiber verifiziert werden müssen.
- Werden bestimmte Schutzmassnahmen wie Schlösser, Beschriftungen oder redundante Messsysteme gefordert, müssen diese vom Anlagenbetreiber vorgesehen werden.
- Ein defekter Sensor darf weder montiert noch in Betrieb genommen werden.
- Am Sensor dürfen nur Wartungsarbeiten durchgeführt werden, die in dieser Bedienungsanleitung beschrieben sind.
- Verwenden Sie für den Austausch von defekten Komponenten ausschliesslich METTLER TOLEDO Originalersatzteile (siehe «Kapitel 9.3, Ersatzteile»).
- An den Sensoren und den Zubehörteilen dürfen keine Änderungen vorgenommen werden. Für Schäden aufgrund von unerlaubten Änderungen haftet der Hersteller/Lieferant nicht. Das Risiko trägt allein der Anwender.



- Werden für den Sensoranschluss andere als vom Hersteller gelieferte oder empfohlene Kabel verwendet, sind die folgenden Normen einzuhalten:
 - Die US-Norm National Electrical Code® (ANSI/NFPA 70 [NEC®]), sofern zutreffend.
 - Die kanadische Norm Canadian Electrical (CE) Code® (CEC Teil 1, CAN/CSA-C22.1), sofern zutreffend.
- Für Hinweise zu Installationen in den USA siehe ANSI/ISA-RP12.06.01, Installation of Intrinsically Safe Systems for Hazardous (Classified) Locations.
- In den USA dürfen die an die eigensicheren zugehörigen Betriebsmittel angeschlossenen Leitstand-Geräte nicht mehr als die für die zugehörigen Betriebsmittel vorgegebene Um verwenden oder erzeugen.
- Bei der Installation ist jegliche Freisetzung von Zündenergie durch Stöße, Schläge oder Reibung zu vermeiden.
- Unerlaubte Änderungen und die Verwendung von Komponenten anderer Hersteller können den sicheren Einsatz des Systems beeinträchtigen.
- Elektrische Stecker oder Module dürfen erst dann angeschlossen oder entfernt werden, wenn der Bereich erwiesenermaßen frei von entflammaren Dämpfen ist.
- **WARNUNG** –
EIGENSICHERE BETRIEBSMITTEL KÖNNEN EINE ZÜNDQUELLE DARSTELLEN, WENN INTERNE ABSTÄNDE ÜBERBRÜCKT ODER ANSCHLÜSSE GEÖFFNET WERDEN.
- **WARNUNG** –
NICHT ÖFFNEN IN EXPLOSIONSFÄHIGER ATMOSPHERE.
- **WARNUNG** –
DER AUSTAUSCH VON KOMPONENTEN KANN DIE EIGENSICHERHEIT BEEINTRÄCHTIGEN.
- **WARNUNG** –
DIE VERWENDUNG ANDERER KOMPONENTEN KANN DIE GEBRAUCHSTAUGLICHKEIT DES GERÄTS BEEINTRÄCHTIGEN.
- **WARNUNG** –
NUR ZUM ANSCHLUSS AN NICHT FEUER-GEFÄHRLICHE PROZESSE BESTIMMT.
- **WARNUNG** –
UM DEN SCHUTZ DES GEHÄUSES NACH SCHUTZART IP66 ZU GEWÄHRLEISTEN, MUSS DER STECKER VOLLSTÄNDIG EINGERASTET SEIN.

2.4 Umweltschutz



Elektroaltgeräte dürfen nicht zusammen mit dem Hausmüll entsorgt werden. Bitte führen Sie diese möglichst Einrichtungen zur Wiederverwertung zu. Wenden Sie sich an Ihre zuständige Behörde oder Ihren Fachhändler, um Hinweise zur Wiederverwertung zu erhalten.

2.5 Einige typische Applikationsbeispiele

Die folgende Aufzählung zeigt einige typische, nicht abschliessende, Applikationsbeispiele für den Einsatz des Sauerstoffsensors.

Messung in Flüssigkeiten:

- Biotechnologie
- chemische Applikationen
- Brauereien
- Getränkefiltration
- Getränkeabfüllung

Messung in Gasen:

- CO₂-Rückgewinnung
- CO₂-Reinheit
- Produktschutz bei Lagerung
- sauerstofffreie Produktion

2.6 Einsatz im Ex-Bereich



Vorsicht!

Für eine Installation im Ex-Bereich beachten Sie bitte die nachfolgenden Richtlinien:

CE 1258 UK
CA 2503

Ex-Klassifikation ATEX:

⊕ Ex II 1/2G Ex ia IIC T6...T3 Ga/Gb

⊕ Ex II 1/2D Ex ia IIIC T69 °C...T161 °C Da/Db

Nummer des Testzertifikats:

SEV 14 ATEX 0169X

IECEX SEV 14.0026X

CML 22 UKEX 2212X

Ex-Klassifikation FM geprüft:



IS/I, II, III/1/ABCDEFG/T6 Ta = 60 °C
– 53 800 002; Entity

Projekt-ID: 3021227

M-Zertifikatsnummer.: FM16US0034X

FM18CA0021X

2.7 Ex-Klassifikation ATEX

2.7.1 Einleitung

- Gemäß Anhang I der Richtlinie 2014/34/EU (ATEX 114)¹⁾ handelt es sich bei den Sauerstoffsensoren des Typs InPro 6XXX*/**/*/* um Geräte der Gruppe II, Kategorie 1/2G, welche gemäß Richtlinie 99/92/EG (ATEX 137)²⁾ in den Zonen 0/1 oder 1/2 bzw. 1 oder 2 sowie in den Gasgruppen IIA, IIB und IIC, die aufgrund brennbarer Stoffe der vorgenannten Temperaturklassen explosionsgefährdet sind, eingesetzt werden dürfen.
- Bei der Verwendung/Installation sind die Anforderungen nach EN 60079-14 einzuhalten.
- Gemäß Anhang I der Richtlinie 2014/34/EU (ATEX 114)¹⁾, Anhang I, gehören InPro 6XXX*/**/*/*-Sauerstoffsensoren zur Gerätegruppe II, Kategorie 1/2D, und gemäß Richtlinie 99/92/EG (ATEX 137)²⁾ können sie auch in den Zonen 20/21 bzw. 21 oder 22 eingesetzt werden, die brennbaren Staub enthalten.
- Der Stromkreis des digitalen Sensors ist Teil eines gemeinsamen eigensicheren Systems und wird an einen gesondert zertifizierten Transmitter angeschlossen und betrieben.
- Der Stromkreis des digitalen Sensors ist als Teil eines eigensicheren Systems von den nicht eigensicheren Stromkreisen bis zu einer maximalen Nennspannung von 375 V und von geerdeten Teilen bis zu einer maximalen Nennspannung von 30 V getrennt.

2.7.2 Nenndaten

Messkreis

In eigensicherer Zündschutzart Ex ia IIC nur zum Anschluss an einen zertifizierten eigensicheren Stromkreis.

Digitaler Sauerstoffsensor Höchstwerte

Zweidriger Stromkreis:

$$U_i \leq 16 \text{ V}$$

$$I_i \leq 30 \text{ mA}$$

$$P_i \leq 50 \text{ mW}$$

$$L_i = \text{vernachlässigbar}$$

$$C_i = \text{vernachlässigbar}$$

¹⁾ Für britische gesetzliche Anforderungen SI 2016 Nr. 1107

²⁾ Für die britischen Vorschriften 7 und 11 der Dangerous Substances and Explosive Atmospheres Regulations 2002 (DSEAR)

2.7.3 Besondere Bedingungen

- Folgende Tabelle enthält das Verhältnis zwischen der maximal zulässigen Umgebungs- bzw. Mediumstemperatur und der Temperaturklasse für Geräte der Kategorie 1G, Zone 0:

| Temperaturklasse | Maximale Umgebungs- bzw. Mediumstemperatur |
|-------------------------|---|
| T 6 | 68 °C |
| T 5 | 80 °C |
| T 4 | 108 °C |
| T 3 | 160 °C |

- Folgende Tabelle enthält das Verhältnis zwischen der maximal zulässigen Umgebungs- bzw. Mediumstemperatur und der Temperaturklasse für Geräte der Kategorie 1D, Zone 20:

| Temperaturklasse | Maximale Umgebungs- bzw. Mediumstemperatur |
|-------------------------|---|
| T 69 °C | 68 °C |
| T 81 °C | 80 °C |
| T 109 °C | 108 °C |
| T 161 °C | 160 °C |

- Die Kapazität und die Induktivität des Verbindungskabels sind zu beachten.
- Der Sauerstoffsensordes Typs InPro 6XXX kann in/mit den Armaturen InFit™ 76*^{***} oder InTrac™ 7**^{***} oder in/mit anderen geeigneten Armaturen in potenziell explosionsgefährdeten Bereichen eingesetzt werden.
- Das Metallgehäuse des Sauerstoffsensors oder der Armaturen InFit76*^{***} oder InTrac7**^{***} oder anderer geeigneter Armaturen wird optional in die Routinedruckprüfung des Systems eingebunden.
- Die unabhängige Armatur für die Installation des Sauerstoffsensors muss leitend mit dem Potenzialausgleichssystem verbunden werden.

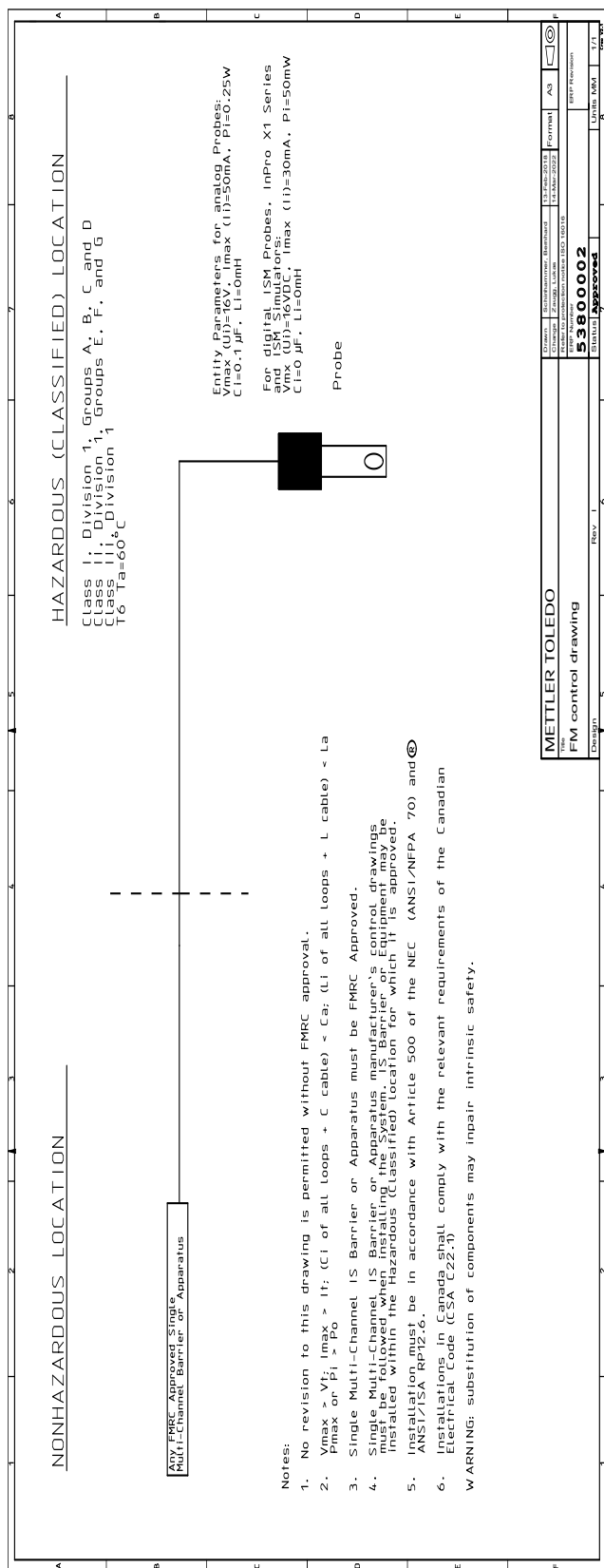
2.8



Ex-Klassifikation FM

2.8.1 Einleitung

Gegebenenfalls sind die folgende FM-Kontrollzeichnung und die in Kapitel 2.8.4 aufgeführten Normen einzuhalten:



2.8.2 Nenndaten

Die Nenndaten entnehmen Sie bitte Kapitel 2.7.2

2.8.3 Besondere Bedingungen

In eigensicheren Geräten sind prozessanalytische Sensoren (Serie InPro 6000 mit Gehäusen der Serien InFit 76X/Y und InTrac 7XX/YY) für die folgenden spezifischen Einsatzbedingungen vorgesehen.

1. Der Sauerstoffsensor muss in Übereinstimmung mit den Gehäuse-, Montage-, Abstands- und Trennungsanforderungen der betreffenden Anwendung installiert werden, einschließlich einer per Werkzeug abnehmbaren Abdeckung, und ist für den Einsatz mit FM-zugelassenen Gehäusen der Serien InFit 76X/Y und InTrac 7XX/YY geeignet.
2. Die Prozesstemperatur darf maximal +130 °C betragen.
3. Der maximal zulässige Arbeitsdruck beträgt 12 barg (174 psig).
4. Potenzielle Gefahr einer elektrostatischen Aufladung – Um die Gefahr einer elektrostatischen Funkenbildung zu vermeiden, darf die nichtmetallische Oberfläche nur mit einem feuchten Tuch gereinigt werden.
5. Titanhaltige Gehäuse stellen eine potenzielle Zündgefahr durch Schlag oder Reibung dar. Daher sind Schläge, Stöße oder Reibung bei Installation und Verwendung unbedingt zu vermeiden.

2.8.4 Angewandte Normen:

US-Normen

| Titel | Nummer | Ausgabe- datum |
|--|--------------------------|---------------------------|
| Approval Standard for Electrical Equipment for Use in Hazardous (Classified) Locations – General Requirements | FM Class 3600 | 2022 |
| Approval Standard for Intrinsically Safe Apparatus and Associated Apparatus for Use in Class I, II & III, Division 1, Hazardous (Classified) Locations | FM Class 3610 | 2021 |
| Approval Standard for Electrical Equipment for Measurement, Control and Laboratory Use | FM Class 3810 | 2021 |
| Explosive Atmospheres – Part 0: Equipment – General Requirements | ANSI/UL 60079-0:2020 | 2020 |
| Explosive Atmospheres – Part 11: Equipment Protection by Intrinsic Safety “i” | ANSI/UL 60079-11:2018 | 2018 |
| Safety Requirements for Electrical Equipment for Measurement, Control, and Laboratory Use – Part 1: General Requirements | ANSI/UL 61010-1:2018 | 2018 |

Kanadische Normen

| Titel | Nummer | Ausgabe- datum |
|--|--|---------------------------|
| Explosive Atmospheres – Part 0: Equipment – General Requirements | CAN/CSA-C22.2 No. 60079-0:2019 | 2019 |
| Explosive Atmospheres – Part 11: Equipment Protection by Intrinsic Safety “i” | CAN/CSA-C22.2 No. 60079-11- 14:R2018 | R2018 |
| Safety Requirements for Electrical Equipment for Measurement, Control, and Laboratory Use – Part 1: General Requirements | CAN/CSA-C22.2 No. 61010-1- 12:R2017 | R2017 |

3 Produktbeschreibung

3.1 Allgemein

Die **O₂-Sensoren der InPro 6850i/6900i/6950i-Serie** mit integriertem Temperaturfühler dienen zur Bestimmung von Sauerstoff bei niedrigen und mittleren Konzentrationen.

Sie können **sterilisiert** und in den meisten Fällen auch autoklaviert werden und sind **kompatibel mit CIP-Systemen** («Cleaning In Place» = Reinigung im eingebauten Zustand).

Die InPro 6xxx i-Sensoren mit ISM™-Funktionalität ermöglichen «Plug and Measure» und bieten eine erweiterte Diagnose.

3.2 Funktionsprinzip

Amperometrische Sauerstoffsensoren:

Die amperometrischen Sauerstoffsensoren von METTLER TOLEDO basieren alle auf dem gleichen Messprinzip nach Clark. Es werden aber verschiedene Baureihen angeboten, die sich in der Anzahl und Anordnung ihrer Elektroden und damit in ihren Spezifikationen deutlich unterscheiden:

- Das Messsystem der InPro-Sensoren besteht aus Arbeitselektrode (Kathode), Gegenelektrode (Anode), Referenzelektrode und einer Schutzringelektrode. Das Messsystem ist durch eine sauerstoffdurchlässige Membran vom Prozessmedium getrennt.
- Die prinzipielle Messtechnik ist bei allen Sensoren gleich.
- Über den Transmitter wird eine konstante Spannung zwischen Kathode und Anode angelegt.
- Durch den Elektrolyt wird eine leitende Verbindung zwischen den Elektroden geschaffen.
- Die Sauerstoffmoleküle diffundieren vom Messmedium durch die Membran zu den Elektroden und werden an der Kathode reduziert. Gleichzeitig findet an der Anode eine Oxidation statt.
- Der erzeugte Strom wird gemessen und ist proportional zum Sauerstoffpartialdruck (pO₂) im Messmedium. In der Ausführung mit digitalem ISM wird der Strom im Sensor selbst in eine Sauerstoffkonzentration umgerechnet und dieser Wert wird an den Transmitter übermittelt.
- Die Schutzringelektrode des InPro 6900i und des InPro 6950i reduziert den Sauerstoff, welcher seitlich zur Kathode diffundiert und die Messung verfälschen kann. Die Schutzringelektrode ermöglicht es daher, Sauerstoffspuren auch in tiefsten Konzentrationen genau zu bestimmen.

Das 4-Elektroden-System des InPro 6900i und des InPro 6950i Sensors garantiert hohe Genauigkeit, schnelles Ansprechen und eine tiefe Nachweisgrenze.



Hinweis: Weitergehende Informationen zur polarographischen O₂-Messung findet sich in Kapitel 10 – «Theorie zu den polarographischen Sensoren».

ISM-Sensoren:

Alle Sauerstoffsensoren mit dem Index «i» (6850 i, 6900 i, 6950 i) sind mit ISM ausgestattet.

Prinzip: Im Sensorkopf ist ein Chip integriert, der die gesamte Steuerung und Kontrolle des Sensors übernimmt und darüber hinaus sämtliche Sensordaten speichert.

Folgende Daten stehen permanent im Sensor zur Verfügung:

- Art des Sensors
- Seriennummer
- Software-Version
- Hardware-Version
- Bestellnummer
- Betriebsdauer
- Kalibrationszeit und -datum
- Kalibrationstabelle

Zur Kontrolle des Systems werden folgende Messgrößen überwacht:

- Temperatur
- Steilheit
- Nullstrom
- Luftstrom
- Polarisationsspannung

Aus diesen Informationen wird im Transmitter ein Verschleissmonitor errechnet und je nach Transmittertyp unterschiedlich dargestellt. (Siehe hierzu die jeweiligen Bedienungsanleitungen)

ISM ermöglicht die Anbindung des Sensors an die iSense Software. In dieser Software werden alle Informationen über den Sensor verwaltet und in einer Datenbank abgelegt. Der Sensor kann über diese Software auch kalibriert werden.

3.3 Lieferumfang

Jeder Sensor wird komplett zusammengebaut und geprüft ausgeliefert mit:

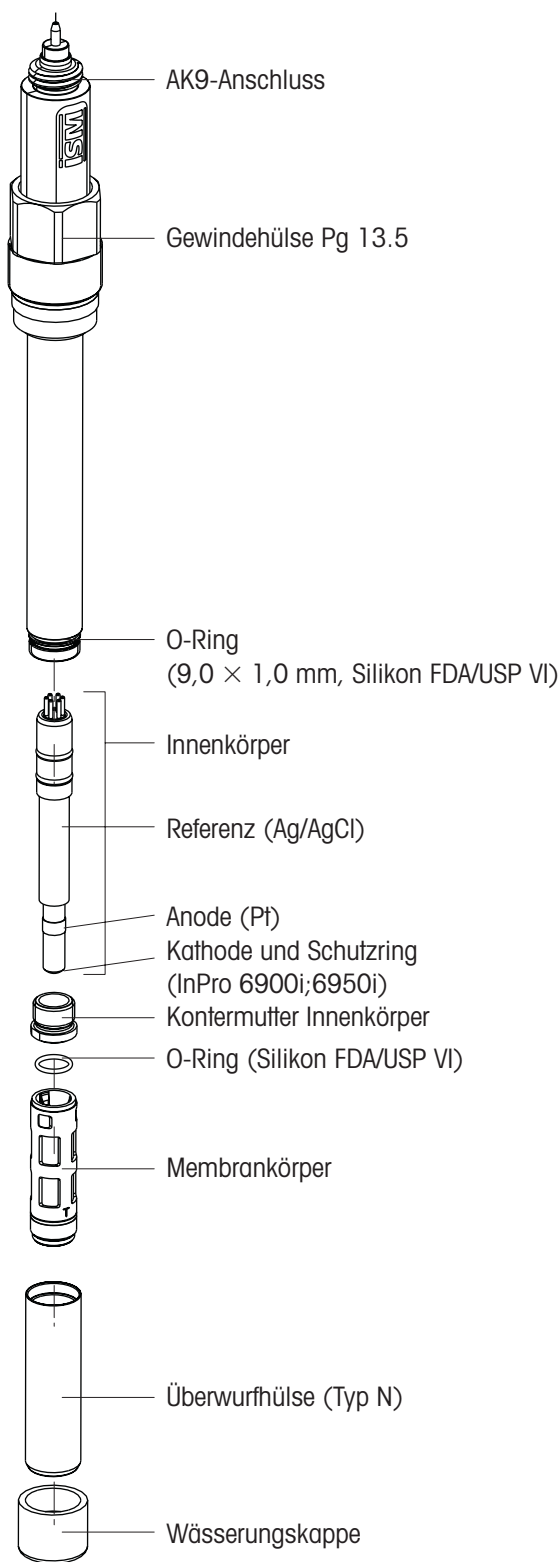
- einem Qualitäts-Kontrollzertifikat
- Materialzertifikaten 3.1 (entsprechend EN 10204)

METTLER TOLEDO ISM Sauerstoffsensoren werden mit passendem Membrankörper und Schutzkappe, aber ohne Elektrolyt ausgeliefert. Sie wurden auf korrekte Funktion geprüft. Bitte beachten Sie die Angaben für die Elektrolytbestellung im Abschnitt 9.3 «Zubehör».

Bei digitalen Sensoren muss vor der Inbetriebnahme Elektrolyt eingefüllt werden.

3.4 Produktübersicht

Sensor 12 mm



METTLER TOLEDO ISM O₂-Sensoren werden mit montiertem Membrankörper, ohne Elektrolyt und mit aufgesteckter Schutzkappe ausgeliefert und sind auf einwandfreie Funktionsweise geprüft.

4 Installation

4.1 Einbau des Sensors



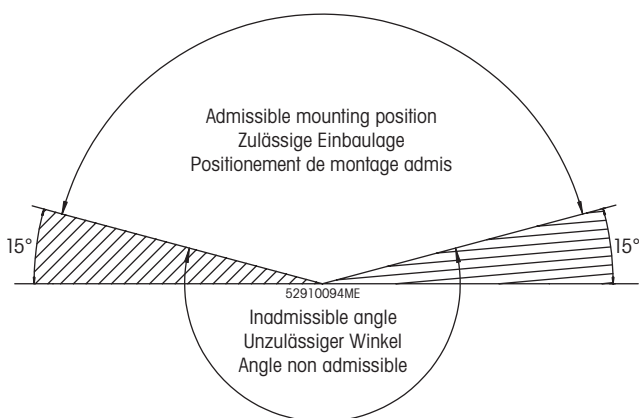
Wichtig! Vor dem Einbau des Sensors muss die Schutzkappe entfernt werden.

Einbau des Sensors in eine Armatur

Für den Einbau des Sensors in eine Armatur beachten Sie bitte die Angaben in der entsprechenden Anleitung zur Armatur.

Direkter Einbau des Sensors in ein Rohr oder Gefäß

Die 12 mm Sauerstoffsensoren können direkt in einen Gewindestutzen Pg 13.5 eingeschraubt und mit der Gewindehülse festgezogen werden.



4.2 Sensor anschliessen

4.2.1 AK9-Kabel an den Sensor anschliessen

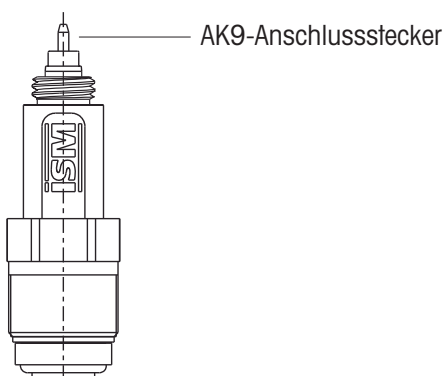
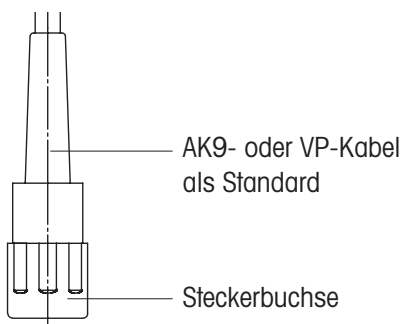


Der Sensor wird über ein AK9-Kabel an den Transmitter angeschlossen. Das AK9-Kabel garantiert eine sichere Verbindung zwischen Sensor und Transmitter, auch unter harten industriellen Bedingungen. Der robuste, wasserdichte Stecker entspricht der Schutzklasse IP 68 und garantiert maximale Prozesssicherheit.

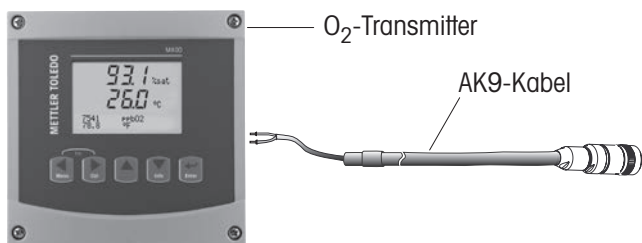


Berühren Sie den Sensor nicht am AK9-Anschlussstecker!

Schieben Sie die Buchse auf den Stecker und schrauben Sie sie fest.



4.2.2 Anschluss des AK9-Kabels am Transmitter



 **Hinweis:** Um das AK9-Kabel mit dem Transmitter zu verbinden, beachten Sie die Anweisungen in der METTLER TOLEDO Transmitter Bedienungsanleitung.

5 Betrieb



Wichtig! Vor der erstmaligen Verwendung des Sensors muss Elektrolyt in den Membrankörper gegeben werden (siehe «Kapitel 6.2»).

5.1 Inbetriebnahme und Polarisation



Wichtig! Vor dem Einbau/der Inbetriebnahme des Sensors muss die Schutzkappe entfernt werden.

Bei der ersten Inbetriebnahme oder nach einer Trennung des Sensors von der Spannungsquelle (Transmitter oder O₂ Sensor-Master) von mehr als 5 Minuten, muss der Sensor vor der Kalibrierung zur Polarisation an den eingeschalteten O₂-Transmitter oder an den O₂ Sensor-Master angeschlossen werden. Nach sechs Stunden ist der Sensor polarisiert und betriebsbereit.



Achtung: Der InPro 6950 i sollte niemals an Luft polarisiert werden!

Während der Polarisationszeit empfehlen wir, die mit Reinigungs- und Konditionierlösung gefüllte Schutzkappe auf dem Sensor aufgesteckt zu lassen (siehe «Kapitel 7 – Lagerung»), speziell dann, wenn der Sensor mehr als 6 Stunden polarisiert wird. (Ausnahme: die ISM-Version InPro 6850 i erreicht nach 1 h die Polarisation und ist dann betriebsbereit).

Falls der Sensor nur für wenige Minuten von der Spannungsquelle getrennt wurde, ist eine kürzere Polarisationszeit ausreichend. Folgende Tabelle dient zur Ermittlung der korrekten Polarisationszeit in Abhängigkeit von der Depolarisationszeit.

| Depolarisationszeit ¹ t_{depol} [Min.] | Minimal notwendige polarisationszeit ² [Min.] | |
|---|---|--------------|
| | InPro 6900 i; InPro 6950 i | InPro 6850 i |
| > 30 | 360 | 60 |
| 15 to 30 | $6 \times t_{\text{depol}}$ | 45 |
| 5 to 15 | $4 \times t_{\text{depol}}$ | 30 |
| < 5 | $6 \times t_{\text{depol}}$ | 0 |

- 1 Depolarisationszeit: Zeitspanne, während der die Polarisationsspannung nicht anliegt. Dies ist der Fall:
 - wenn das Kabel abgekoppelt ist, kein Transmitter oder Polarisationsmodul am Kabel angeschlossen ist oder der Transmitter von der Stromversorgung getrennt wurde.
 - nach Elektrolyt- bzw. Membrankörperwechsel, nach denen mindestens 6 Std. (InPro 6850 i; 1 Std.) polarisiert werden muss.
- 2 Polarisationszeit: Zeitspanne, während der der Sensor mit einer Polarisationsspannung beaufschlagt ist.

**Wichtig: Die Einstellung der Polarisationsspannung am Transmitter für korrekte Messungen:**

- Standardapplikationen InPro 6850i: – **675 mV**
- Messungen von permanent niedrigen Sauerstoffkonzentrationen (< 500 ppb in Flüssigkeiten oder < 10'000 ppm [Vol.] in Gasen) in Gegenwart von sauren, flüchtigen Komponenten (z.B. Kohlendioxid bei Messung in Brauerei)
z.B. InPro 6900i/6950i: – **500 mV**

**Hinweis: Der Transmitter ist so einzustellen, dass er die korrekte Polarisationsspannung liefert.**

5.2 Kalibrierung

5.2.1 Zweck der Kalibrierung

Jeder Sauerstoffsensor hat eine individuelle Steilheit und einen individuellen Nullpunkt. Beide Werte ändern sich z.B. durch Elektrolytverbrauch oder nach Austausch des Elektrolyten oder des Membrankörpers. Um eine hohe Messgenauigkeit des Sensors zu erzielen, muss deshalb regelmässig, zumindest aber nach einem Elektrolyt- oder Membranwechsel eine Kalibrierung durchgeführt werden. Vor der Kalibrierung muss der Sensor mindestens 6 Stunden polarisiert werden (InPro 6850i; 1 Std.).

**Bitte entfernen Sie die Schutzkappe vom Sensor, spülen Sie den Sensor mit Wasser und trocknen Sie ihn an der Luft, bevor Sie mit der Kalibrierung beginnen.****Um zu prüfen, ob der Sensor kalibriert werden muss, trocknen Sie den Sensor ab und halten Sie ihn in die Luft. Der Transmitter sollte jetzt einen Wert von nahezu 100 % anzeigen. Ist dies nicht der Fall, muss der Sensor nachkalibriert werden.**

Bei ISM-Sensoren werden alle Kalibrationsdaten im Sensor selbst gespeichert.

5.2.2 Was müssen Sie bei der Kalibrierung beachten

Die Kalibrierung wird generell bei der Polarisationsspannung durchgeführt, bei der auch gemessen wird.

Eine Nullpunktkalibrierung wird empfohlen:

- wenn in Flüssigkeit unter 5 ppb gemessen wird
- wenn in Gasen unter 125 ppm (Vol.) gemessen wird.

Die im M700 Transmitter verfügbare automatische Kalibrieroutine (SW700-011 «CO₂-Kompensation») ist für InPro 6900i Sensoren nicht geeignet.

**Generelle Hinweise:**

- **Für die Kalibrierung an Luft muss die Membran des Sensors trocken sein**, da anhaftende Wassertropfen den Sauerstoffmesswert verfälschen.
- Stellen Sie sicher, dass der **Sauerstoff-Sätti-**

gungsindex des Kalibriermediums **stimmt** und während der Kalibrierung **konstant bleibt**.

- Falls die Kalibrierung in Wasser oder Messmedium erfolgt, muss sich das **Kalibriermedium mit Luft im Gleichgewichtszustand** befinden. Der Sauerstoffaustausch zwischen Wasser und Luft läuft nur sehr langsam ab. Es dauert daher relativ lange, bis Wasser mit Luft gesättigt ist.
- Eine gewisse Mindestanströmung des Sensors mit dem Kalibriermedium muss gewährleistet sein.
- Achten Sie darauf, dass alle anderen Parameter, (wie Temperatur und Druck) während der Kalibrierung konstant bleiben.

Bei Dauerbetrieb empfehlen wir eine **periodische Nachkalibrierung entsprechend der gewünschten Genauigkeit, der Art des Prozesses und Ihrer Erfahrung**. Die Häufigkeit der notwendigen Nachkalibrierung ist stark applikationsspezifisch und kann daher an dieser Stelle nicht genau definiert werden.

5.2.3 Einpunktkalibrierung

Durch die Einpunktkalibrierung wird die aktuelle Steilheit des Sensors ermittelt. Als Kalibriermedium dient Wasser mit bekannter Sauerstoffsättigung (z.B. luftgesättigtes Wasser) oder Luft mit bekannter Wasserdampfsättigung (wasserdampfgesättigte Luft).

Nach Erreichen eines stabilen Signals wird der Sensor mit dem jeweiligen Transmitter auf den 100%-Wert der gewünschten Messgröße kalibriert, z.B. 100 % Luft, 20,95 % O₂ oder 8,26 ppm – bei 25 °C und Normaldruck (siehe Anleitung zum Transmitter).

5.2.4 Zweipunktkalibrierung

Durch die Zweipunktkalibrierung werden Steilheit und Nullpunkt des Sensors ermittelt.



Wichtig! Bei einer Zweipunktkalibrierung muss immer zuerst die Nullpunktkalibrierung durchgeführt werden, bevor die Steilheit ermittelt wird.

In der Regel sollte der Nullpunkt auf Null gesetzt werden bzw. wird automatisch vom Transmitter auf Null gesetzt (siehe Bedienungsanleitung des Transmitters).

Eine Nullpunktkalibrierung wird empfohlen:

- wenn in Flüssigkeiten unter 5 ppb gemessen wird
- wenn in Gasen unter 125 ppm (Vol.) gemessen wird.



Vorsicht! Eine unkorrekte Nullpunktkalibrierung ist eine häufige Fehlerquelle. Für eine korrekte Durchführung empfehlen wir als Nullpunktmedium Kohlendioxid Gas mit einem Reinheitsgrad von mindestens 99,9995 %.

Nach Erreichen eines stabilen Sensorsignals (nach 6–12 Stunden) wird der Sensor mit dem jeweiligen Transmitter auf den Nullwert der gewünschten Messgröße kalibriert, z.B. 0% Luft, 0,0% O₂ oder 0,0 ppm (siehe Bedienungsanleitung des Transmitters).

6 Wartung

6.1 Kontrolle des Sensors

6.1.1 Visuelle Kontrolle

Zur Überprüfung des Sensors empfehlen wir folgende Vorgehensweise:

- Die Kontakte am Anschlussstecker müssen trocken sein. Feuchtigkeit, Korrosion und Schmutz im Anschlussstecker können zu Fehlanzeigen führen.
- Kabel auf Knickstellen, spröde Stellen oder Brüche überprüfen.
- Vor jeder Kalibrierung sollte die Membranfolie optisch auf Beschädigung geprüft werden. Sie muss unverletzt und sauber sein. Bei verschmutzter Membran ist sie mit einem feuchten, weichen Lappen abzureiben.



Hinweis: Eine verformte Membrane hat keinen Einfluss auf die Messgenauigkeit, sofern Sie nicht beschädigt ist.

- Der Membrankörper muss ersetzt werden, wenn der Sensor eine zu lange Ansprechzeit aufweist, der Anzeigewert nicht stabil bleibt oder wegdriftet, der Sensor nicht kalibriert werden kann oder die Membran mechanisch beschädigt ist.
- Kathodenbereich auf Verfärbungen, Beläge und Glassprünge überprüfen. Gegebenenfalls mit demineralisiertem Wasser spülen und mit weichem, sauberen Pinsel oder weichem Papiertuch reinigen.



Vorsicht! Keinerlei Reinigungsmittel oder Alkohol verwenden. Diese können den Sensor beschädigen oder zu Fehlströmen führen.

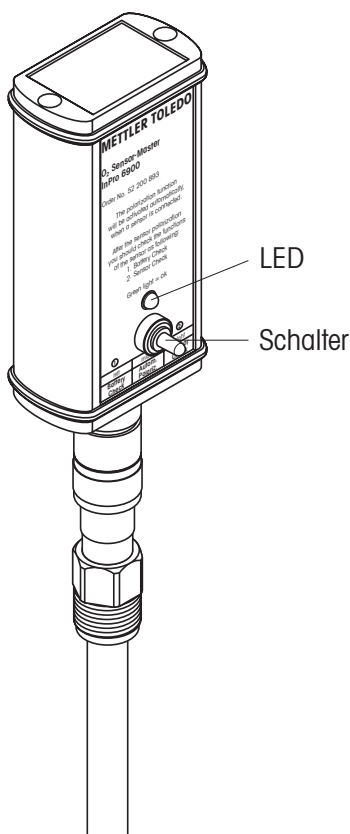


Vorsicht! Der Innenkörper aus Glas ist zerbrechlich und empfindlich gegen Erschütterungen.

6.1.2 Kontrolle des Sensors mit dem METTLER TOLEDO O₂ Sensor-Master

Zur einfachen Überprüfung der Funktionstüchtigkeit des Sensors empfehlen wir den als Zubehör erhältlichen O₂ Sensor-Master. Um den Sensor zu kontrollieren, gehen Sie wie folgt vor:

- Sensor an den O₂ Sensor-Master anschliessen.



Sobald der Sensor am O₂ Sensor-Master angeschlossen ist, wird automatisch die Polarisierfunktion aktiviert und der Sensor mit der richtigen Polarisationsspannung versorgt. Falls der Sensor für mehr als 5 Minuten vom Transmitter getrennt war, muss er zuerst polarisiert (Polarisationszeiten siehe «Kapitel 5.1») werden, bevor aussagekräftige Testresultate erzielt werden.

- **Kontrolle der Batterie:**
Schalter nach links drücken. Ist der Ladezustand der Batterie ok, leuchtet die grüne LED. Andernfalls konsultieren Sie die Bedienungsanleitung zum O₂ Sensor-Master.
- **Sensor Check:**
Für diesen Test müssen der O₂-Sensor vollständig polarisiert und die Membran des Sensors trocken und sauber sein.
Halten Sie den am O₂ Sensor-Master angeschlossenen Sensor in die Luft. Drücken Sie anschliessend den Schalter nach rechts auf die Position «2 – Sensor check». Der O₂ Sensor-

Master prüft, ob der Elektrodenstrom für Luft, den der Sensor liefert, im zulässigen Bereich liegt, z.B. 2500–6000 nA für den InPro 6950i.

Leuchtet die grüne LED, liegt der Elektrodenstrom im zulässigen Bereich.

Leuchtet die LED nicht, prüfen Sie die Batterie des O₂ Sensor-Master (siehe Bedienungsanleitung «Zubehör»). Ist die Batterie ok, liegt der Fehler möglicherweise beim Sensor. Ersetzen Sie den Elektrolyten und/oder den Membrankörper des Sensors. Leuchtet die LED auch nach dem Austausch des Membrankörpers nicht, ersetzen Sie auch noch den Innenkörper des Sensors (siehe «Kapitel 6.2»).



Wichtig! Mit der Sensor Check-Funktion wird nur die Korrektheit des Elektrodenstromes an Luft überprüft. Um sicher zu gehen, dass der Sensor korrekt arbeitet, muss auch der Nullstrom mit einer Messung in sauerstofffreiem Medium überprüft werden (siehe «Kapitel 6.1.3»).

6.1.3 Kontrolle des Sensors mit dem Transmitter

Zur Überprüfung der korrekten Sensorfunktion ist eine periodische Nullstrommessung empfehlenswert.



Wichtig! Für die Nullstrommessung muss der Sensor polarisiert sein.

Die Nullstrommessung wird mit Hilfe eines Nullstrom-Gels (Art.-Nr. 30 300 435) durchgeführt, kann aber auch in Stickstoff- (N₂) oder Kohlendioxid- (CO₂) Kalibriergasen (Reinheit von mindestens 99,995 %) oder in einem mit diesen Gasen gesättigten Messmedium erfolgen.

Nach 2 Minuten in einem sauerstofffreien Messmedium sollte der Sensor weniger als 10 % und nach 10 Minuten weniger als 1 % des Luftmesswertes liefern.

Zu hohe Messwerte deuten auf einen erschöpften Elektrolyten oder eine defekte Membran hin. Im ersten Fall ist der Elektrolyt und im zweiten Fall der Membrankörper mit Elektrolyt zu wechseln.

Sollten die oben erwähnten Werte nach dem Austausch des Elektrolyten und des Membrankörpers nicht erreicht werden, ersetzen Sie den Innenkörper des Sensors. Hilft auch diese Massnahme nichts, senden Sie den Sensor zur Inspektion an Ihre METTLER TOLEDO Vertretung.

In vielen Messmedien befinden sich leicht flüchtige Substanzen, die bereits in sehr geringen Konzentrationen einen deutlich wahrnehmbaren Geruch besitzen. Diese Substanzen können wie Sauerstoff durch die gasdurchlässige Membran in den Elektrolyten eindringen und sind beim Austausch des Elektrolyten entsprechend wahrnehmbar. Solche Substanzen,

wie auch eine leichte Verfärbung des Elektrolyten haben in den meisten Fällen absolut keinen Einfluss auf die Messeigenschaften des Sensors.

6.1.4 ISM-Ausführung

Die integrierten ISM-Funktionen erlauben eine umfangreiche Überwachung des Sensors. Folgende Parameter werden im Sensor gespeichert:

- Serien-Nr.
- Sensor-Typ
- Bestellnummer
- Kalibrationsdaten
- CIP/SIP-Zähler
- Steigung
- Nullpunkt

6.2 Ersetzen des Elektrolyten, des Membrankörpers oder des Innenkörpers



Hinweis: In den Sensoren InPro 6900 i und InPro 6950 i wird ein spezieller Elektrolyt verwendet, der einen Oxydationshemmer enthält. Dieser Elektrolyt gewährleistet eine schnelle Ansprechzeit und erhöht zusammen mit dem Schutzring die Signalstabilität des Sensors. Der Elektrolyt muss in regelmässigen Abständen ersetzt werden, sicher jedoch dann, wenn der Sensor mehr als 24 Stunden ohne Schutzkappe mit Konditionierungslösung der Luft ausgesetzt wurde.



Hinweis: Nach der ersten Öffnung der Elektrolytflasche soll der Elektrolyt innerhalb von 3 Monaten aufgebraucht werden.

Arbeitet die Membran und/oder der Innenkörper nicht mehr einwandfrei (zu lange Ansprechzeiten, hoher Nullstrom in sauerstofffreiem Medium, mechanische Beschädigung etc.) muss der Membrankörper und/oder der Innenkörper ausgetauscht werden.



Warnung! Der O₂-Elektrolyt hat einen alkalischen pH-Wert. Vermeiden Sie den Kontakt des Elektrolyten mit der Haut, insbesondere mit den Schleimhäuten und Augen. Tragen Sie deshalb für die nachfolgend beschriebenen Austauscharbeiten immer Schutzhandschuhe und eine Schutzbrille. Sollten Sie trotzdem mit dem Elektrolyten in Berührung kommen, spülen Sie den betroffenen Körperteil sofort mit viel Wasser ab. Bei Unwohlsein ist sofort ein Arzt hinzuzuziehen.

Für den Austausch des Elektrolyten, des Membrankörpers oder des Innenkörpers gehen Sie wie folgt vor (siehe auch nachfolgende Abbildung):



Vorsicht! Führen Sie die nachfolgenden Arbeitsschritte nur an einem sauberen Arbeitsplatz aus.

1. Überwurfhülse vom Sensorschaft abschrauben und vorsichtig vom Sensor ziehen.
2. Membrankörper vom Innenkörper abziehen. Ist der Membrankörper in der Überwurfhülse festgeklemmt, sollte er mit der flachen Seite der Fingerspitzen aus dieser herausgedrückt werden. Vor einem Elektrolytwechsel muss der Membrankörper unbedingt aus der Überwurfhülse entfernt werden!
3. Den Innenkörper mit destilliertem Wasser abspülen und sorgfältig mit einem Papiertuch trocknen.



Hinweis: Die Schritte 4 bis 7 müssen nur für den Austausch des Innenkörpers ausgeführt werden.

4. Kontermutter mit einem Rollgabelschlüssel oder Gabelschlüssel 9 mm lösen.
5. Innenkörper aus dem Sensorschaft ziehen. Falls nötig, Zange verwenden.

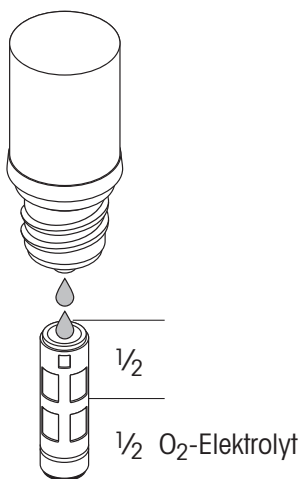


Warnung! Innenkörper beim Herausziehen nicht drehen, sonst können die Kontaktstifte abbrechen.

6. Neuen Innenkörper in den Sensorschaft einsetzen und so weit drehen, bis die Nut im Innenkörper im Nocken des Sensorschaftes einrastet
7. Innenkörper bis zum Anschlag in den Sensorschaft hineindrücken. Anschliessend Kontermutter anbringen und festziehen.
8. Alle O-Ringe auf Beschädigungen prüfen und falls nötig ersetzen.
9. Den neuen Membrankörper bis zur Hälfte mit O₂-Elektrolyt füllen.



Hinweis: Die Elektrolytflasche ist mit einem speziellen Ausguss-System ausgerüstet. Zur Gewährleistung der korrekten Funktion muss die Flasche zum Füllen vertikal nach unten gehalten werden.





Hinweis: Darauf achten, dass im gefüllten Membrankörper keine Luftblasen vorhanden sind. Luftblasen können durch vorsichtiges Klopfen an den Membrankörper entfernt werden.

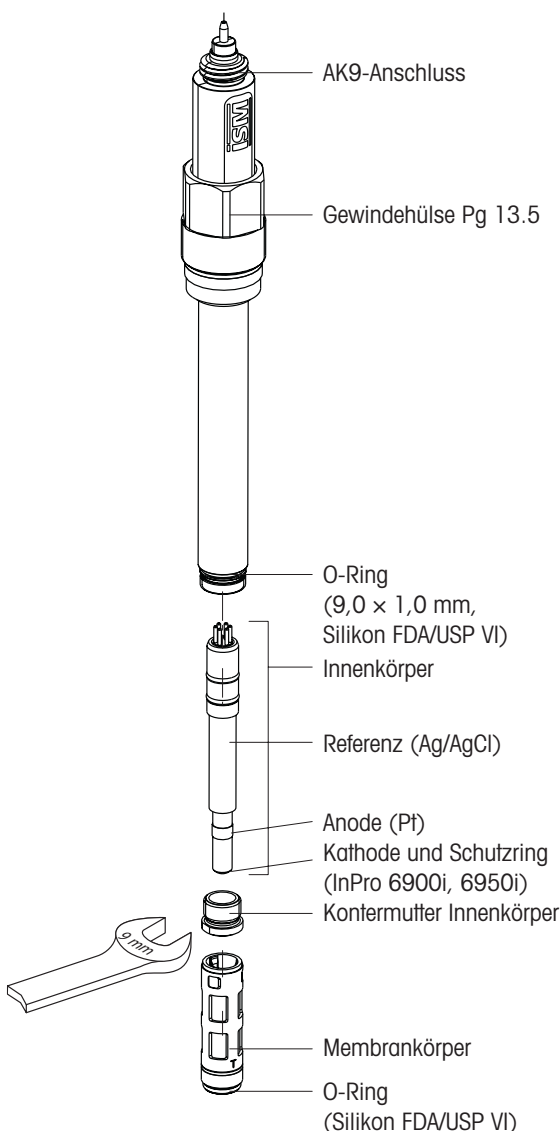
10. Den Membrankörper in senkrechter Position auf den Innenkörper schieben und überschüssigen Elektrolyt mit einem Papiertuch entfernen.



Wichtig! Zwischen Membrankörper und Überwurfhülse dürfen sich weder Elektrolyt noch Messmedium oder andere Verunreinigungen befinden. Bitte genau prüfen!

11. Die Überwurfhülse vorsichtig über den montierten Membrankörper schieben (den Sensor dabei in vertikaler Position halten) und festschrauben. Die Überwurfhülse muss sauber und trocken sein.
12. Nach einem Austausch des Elektrolyten oder des Membrankörpers oder des Innenkörpers ist der Sensor zu polarisieren und zu kalibrieren.

Ersetzen des Innenkörpers



7 Lagerung

Für die Lagerung der Sensoren über eine Dauer von mehr als 24 Stunden empfehlen wir, die Schutzkappe, gefüllt mit der Reinigungs- und Konditionierlösung (Bestell-Nr. 52 200 255), wie sie für unsere portablen O₂-Messsysteme verwendet wird, aufzusetzen. Diese Lösung besitzt einen Oxydationshemmer, der verhindert, dass der Sensor mit Sauerstoff in Kontakt kommt, wenn er nicht benutzt wird.

Wenn der Sensor ohne Polarisierung über eine Woche gelagert wird, muss der Elektrolyt entfernt werden.

Um die Reinigungs- und Konditionierlösung herzustellen, gehen Sie wie folgt vor: Eine Tablette in 40 ml destilliertes Wasser geben und 5 Minuten warten, bis sie sich aufgelöst hat. Schutzkappe mit dieser Lösung füllen und Schutzkappe auf das Sensorende aufstecken. Die Reinigungs- und Konditionierlösung hat Reinigungseigenschaften, die die Membran freihält von Mikroorganismen. Falls Sie kein Reinigungs- und Pflegeset verfügen, können Sie anstelle auch entlüftetes Wasser oder das Nullstrom Gel verwenden. Vor dem Einbau des Sensors ist die Schutzkappe zu entfernen und der Sensor mit Wasser zu spülen.



Vorsicht! Bei einer Lagerung des Sensors ohne Spannungsversorgung (Transmitter, Sensor-Master) von mehr als 1 Woche sollte der Sensor trocken, d.h. ohne Elektrolyt im Membrankörper gelagert werden. Ein trocken gelagerter Sensor (ohne Elektrolyt im Membrankörper) darf auf keinen Fall an den O₂ Sensor-Master oder an ein anderes Polarisationsmodul angeschlossen werden.

8 Produktspezifikationen

8.1 Zertifikate

Jeder Sensor wird mit einem Set von **3.1 Zertifikaten** (entsprechend EN 10204) ausgeliefert.

Alle mit dem Prozessmedium in Berührung kommenden Metallteile (Sensorschaft, Überwurfhülse und Membrankörper) sind mit einem Symbol gekennzeichnet, das auf die Schmelznummer auf dem mitgelieferten Zertifikat verweist.

Alle mit dem Prozessmedium in Berührung kommenden Metallteile (Sensorschaft, Überwurfhülse und Membrankörper) sind poliert, damit Sie eine Oberflächenrauheit von weniger als 0,4 µm aufweisen. Dies entspricht einer Oberflächenrauheit von N5 (entsprechend ISO 1320:1992).

8.2 Technische Daten

| InPro 6850i/6900i/6950i | |
|---|---|
| Messprinzip | Polarografische Clark-Elektrode |
| Betriebsbedingungen | |
| Zulässiger Druckbereich (Messung) | 6850i: 0,2 ... 6 bar 6900i: 0,2 ... 6 bar (9 bar mit T-6900R) 6950i: 0,2 ... 6 bar |
| Mechanische Druckfestigkeit | Max. 12 bar |
| Temperaturbereich (Messung) | 0 ... 80 °C |
| Temperaturbereich (Umgebung) | 6850i: -5 ... 140 °C 6900i: -5 ... 121 °C (sterilisierbar und autoklavierbar) 6950i: -5 ... 121 °C (sterilisierbar) |
| Konstruktionsmerkmale | |
| Temperaturkompensation | Automatisch |
| Kabelanschluss | AK9 |
| O-Ring-Material | Silikon FDA und USP Class VI geprüft |
| Material Membrane | PTFE/Silikon/PTFE (verstärkt mit Stahlnetz) |
| Material Sensorkörper (medienberührt) | 316L rostfreier Stahl |
| Oberflächenrauheit medienberührte Metallteile | N5 (R _a = 0,4 µm) |
| Quick Disconnect-Innenkörper | Standard |
| Kathode | Pt |
| Anode | 6850i: Pt 6900i: Ag 6950i: Pt |
| Schutzring | 6850i: - 6900i: Pt 6950i: Pt |
| Referenzelement | Ag |
| Abmessungen | |
| Sensordurchmesser | 6850i: 12/25 mm 6900i: 12 mm 6950i: 12 mm |
| Eintauchlänge (a) für 12 mm Sensor | 6850i/6900i: 70, 120, 220, 320, 420 mm 6950i: 70, 120, 220, 320 mm |
| Eintauchlänge (a) für 25 mm Sensor | 6850i: 80, 160, 260, 360 mm 6900i: - 6950i: - |
| Sensorleistung | |
| Nachweisgrenze | 6850i: 6 ppb bis Sättigung 6900i: 1 ppb bis Sättigung 6950i: 0.1 ppb bis Sättigung |
| Genauigkeit | 6850i: ≤ ± (1 % + 6 ppb) 6900i: ≤ ± (1 % + 1 ppb) 6950i: ≤ ± (1 % + 0,1 ppb) |
| Ansprechzeit bei 25 °C | 98 % des Endwertes in < 90 s |
| Sensorsignal in Umgebungsluft bei 25 °C | 6850i: 50...110 nA 6900i: 250...500 nA 6950i: 2500...5000 nA |
| Restsignal in sauerstofffreiem Medium | 6850i: < 0,1 % des Signals 6900i: < 0,3 % des Signals 6950i: < 0,025 % des Signals |

Zertifikate

| | |
|--------------------------------|------------------------------|
| EHDG, 3A | Ja |
| 3.1 (EN 10204) | Ja |
| ATEX, IECEx und UKEX-Zulassung | 6850i/6900i: Ja 6950i: Ja |
| FM-Zulassung | 6850i/6900i: Ja 6950i: Ja |
| FDA/USP VI | Ja |
| Qualitäts-/Endkontrolle | Ja |

Kompatibilität

| | |
|--------------------------------|---------------------|
| mit METTLER TOLEDO Transmitter | siehe «Kapitel 9.4» |
| mit METTLER TOLEDO Armaturen | siehe «Kapitel 9.5» |

9 Bestellinformationen

Weitere, detaillierte Informationen finden Sie im technischen Datenblatt. Fragen Sie Ihren Lieferanten.

9.1 Sensoren mit ISM-Funktionalität

Bestellinformationen

| – Version gerade | 6850 i | 6900 i | 6950 i |
|------------------------|------------|------------|------------|
| 70 mm | 52 206 118 | 52 206 316 | 52 206 127 |
| 120 mm | 52 206 119 | 52 206 317 | 52 206 128 |
| 220 mm | 52 206 120 | 52 206 318 | 52 206 129 |
| 320 mm | 52 206 121 | 52 206 319 | 52 206 130 |
| 420 mm | 52 206 122 | – | – |
| – 25 mm-Version | | | |
| 80 mm | 52 206 123 | – | – |
| 160 mm | 52 206 124 | – | – |
| 260 mm | 52 206 125 | – | – |
| 360 mm | 52 206 126 | – | – |

9.2 Zubehör

| Zubehör | Bestell-Nr. |
|--|-------------|
| O ₂ Sensor-Master «Digital ISM» | 52 206 329 |
| Kabel | |
| AK9 Koax-Kabel mit K8S-Steckkopf 1 m | 59 902 167 |
| AK9 Koax-Kabel mit K8S-Steckkopf 3 m | 59 902 193 |
| AK9 Koax-Kabel mit K8S-Steckkopf 5 m | 59 902 213 |
| AK9 Koax-Kabel mit K8S-Steckkopf 10 m | 59 902 230 |
| AK9 Koax-Kabel mit K8S-Steckkopf 20 m | 52 300 204 |

9.3 Ersatzteile

| Ersatzteil | Bestell-Nr. |
|--|-------------|
| – InPro 6850 i | |
| Membrankörper (einzeln), T-96 | 52 200 071 |
| Membran-Kit T-96 (4 Membrankörper, 1 O-Ring-Set (Silikon), 25 ml Elektrolyt, medienberührte Teile SS 316L) | 52 200 024 |
| Membrankörper (16 Stück), T-96 | 52 206 114 |
| O ₂ Elektrolyt-Nachfüllpack (3 × 25 ml) | 30 298 424 |
| Innenkörper (Ersatz), InPro 6850 i | 52 206 347 |
| – InPro 6900 i | |
| Verstärkter Membrankörper (einzeln), InPro 6900 (T-6900R) | 52 201 108 |
| Verstärktes Membran-Kit InPro 6900 (T-6900 R) | 52 201 109 |
| InPro 6900 Elektrolyt-Nachfüllpack (3 × 5 ml) | 30 298 425 |
| Innenkörper (Ersatz), InPro 6900 | 52 200 943 |
| – InPro 6950 i | |
| Membrankörper (einzeln) | 52 206 105 |
| Membran-Kit (4 Membrankörper, 1 O-Ring-Set, 2 × 5 ml Elektrolyt) | 52 206 106 |
| InPro 6950 Elektrolyt-Nachfüllpack (3 × 5 ml) | 30 298 426 |
| Innenkörper (Ersatz), InPro 6950 | 52 206 112 |

9.4 Empfohlene Transmitter

| Transmitter M700 | Bestell-Nr. |
|--|--------------------|
| Grundgerät, beschichtet, M700C | 52 121 171 |
| Grundgerät, beschichtet, Ex, VPW, M700XC/VPW | 52 121 172 |
| Grundgerät, beschichtet, Ex, 24V, M700XC/24V | 52 121 173 |
| Grundgerät, rostfreier Stahl, M700S | 52 121 174 |
| Grundgerät, rostfreier Stahl, Ex, VPW M700XS/VPW | 52 121 175 |
| Grundgerät, rostfreier Stahl, Ex, 24V M700XS/24V | 52 121 176 |

| Transmitter-Messmodule M700 | Bestell-Nr. |
|--|--------------------|
| ISM O ₂ -Messmodul 4700i | 52 121 263 |
| ISM O ₂ -Messmodul, Ex, 4700iX | 52 121 263 |
| ISM O ₂ -Messmodul 4700i ppb | 52 121 265 |
| ISM O ₂ -Messmodul, Ex, 4700iX ppb | 52 121 266 |
| ISM O ₂ -Messmodul 4700i Spuren | 52 121 295 |
| ISM O ₂ -Messmodul, Ex, 4700iX Spuren | 52 121 294 |

| Transmitter M300D | Bestell-Nr. |
|---------------------------------------|--------------------|
| M300i, ¼DIN, 1-Kanal, Multi-Parameter | 52 121 354 |
| M300i, ½DIN, 1-Kanal, Multi-Parameter | 52 121 355 |
| M300i, ¼DIN, 2-Kanal, Multi-Parameter | 52 121 356 |
| M300i, ½DIN, 2-Kanal, Multi-Parameter | 52 121 357 |

| Transmitter M400 | Bestell-Nr. |
|-------------------------|--------------------|
| M400, Typ 1 | 52 121 348 |
| M400, Typ 2 | 52 121 349 |
| M400, Typ 3 | 52 121 350 |

Mehr Informationen zu den einzelnen Typen finden Sie im nachfolgend aufgeführten «Parameter-Leitfaden für M400 Transmitter».

Parameter-Leitfaden für M400 Transmitter

| | M400 | M400 | M400 |
|-------------------------------|--------------|--------------|--------------|
| Analoge Sensoren | Typ 1 | Typ 2 | Typ 3 |
| pH/Redox | • | • | • |
| Leitfähigkeit 2-Pol-Elektrode | • | • | • |
| Leitfähigkeit 4-Pol-Elektrode | • | • | • |
| O ₂ ppm | – | • | • |
| O ₂ ppb | – | – | • |
| ISM-Sensoren | | | |
| pH/Redox | • | • | • |
| Leitfähigkeit 2-Pol-Elektrode | • | • | • |
| Leitfähigkeit 4-Pol-Elektrode | • | • | • |
| O ₂ ppm | – | • | • |
| O ₂ ppm optisch | – | – | • |
| O ₂ ppb | – | – | • |
| O ₂ Spur | – | – | • |

9.5 Empfohlene Armaturen

Armatur (12 mm Ø)

Statische Armatur

InFit 761 CIP

Wechselarmatur

InTrac 777 e

InTrac 797 e

Eintaucharmatur

InDip™ 550



Hinweis: Die Armaturen sind in verschiedenen Versionen erhältlich. Um sicherzustellen, dass die Bestellnummer mit der gewünschten Version übereinstimmt, nehmen Sie bitte mit Ihrer METTLER TOLEDO Verkaufsorganisation Kontakt auf.

10 Theorie der polarographischen Sensoren

10.1 Einführung

In **potenziometrischen** und **amperometrischen** Prozessanalyse-Sensoren werden zwei Arten von Elektroden eingesetzt.

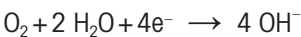
- Die potentiometrischen Elektroden entwickeln eine Spannung, die durch die Aktivität eines spezifischen Ions erzeugt wird. Beispiele solcher Elektroden sind: Glaselektroden (z.B. pH-Elektroden) und die meisten ionenselektiven Elektroden. Ihre individuellen Spannungswerte können jedoch nicht bestimmt werden. Der messbare Wert ist die Potentialdifferenz zwischen der Messelektrode und einer fixen Referenzelektrode. Der Spannungswert der Referenzelektrode muss dabei konstant sein.

Alle potentiometrischen Elektroden unterliegen den Gesetzen nach Nernst. Aus diesem Grund können die Elektroden und die Messinstrumente in den meisten Fällen untereinander ausgetauscht werden. Eine wichtige Eigenschaft der potentiometrischen Messungen ist die praktisch stromlose Bestimmung der Elektrodenspannung. Dadurch entstehen im Messmedium keine chemischen Reaktionen und das Messmedium bleibt im Gleichgewicht.

- Bei den **amperometrischen Elektroden**, wie zum Beispiel den Sauerstoffelektroden, basiert die Messung auf einer Strommessung.

Die herkömmlichen Sauerstoffelektroden bestehen aus einer Kathode und einer Anode, die über einen Elektrolyten miteinander leitend verbunden sind. Eine geeignete Polarisationsspannung zwischen Anode und Kathode reduziert den Sauerstoff an der Kathode.

Reaktion an der Kathode:



Aus diesen chemischen Reaktionen resultiert ein Strom, der proportional zum Sauerstoffpartialdruck ($p\text{O}_2$) ist. Die Sauerstoffelektrode reduziert laufend Sauerstoff. Hierdurch wird die Konzentration an gelöstem O₂ geringer. Durch Diffusion wird dieser O₂ ersetzt. Aus diesem Grund sind die Viskosität und der Durchsatz der Messlösung wichtige Einflussgrößen.

Der Elektrodenstrom einer Sauerstoffelektrode ist nicht nur durch den Sauerstoffpartialdruck, sondern durch weitere Elektrodenparameter bestimmt. Der Elektrodenstrom unterschiedlicher Elektroden kann in mehreren Zehnerpotenzen voneinander abweichen. Aus diesem Grund können Sauerstoffelektroden und Transmitter nicht frei ausgetauscht werden.

10.2 Prinzipieller Aufbau von Sauerstoffelektroden

Es gibt zwei Arten von Sauerstoffelektroden:

- Elektroden **ohne** Membran
- Elektroden **mit** gasdurchlässiger Membran (Clark-Prinzip).

Die Membranelektrode nach Clark ist die heute am meisten verwendete Elektrode. Im Vergleich zu den Elektroden ohne Membran weisen Sie folgende Vorteile auf:

- Sauerstoffmessung in Gasen und Lösungen
- Keine gegenseitige Verunreinigung von Elektrode und Messmedium
- Keine oder sehr geringe Abhängigkeit von den Strömungsbedingungen im Medium

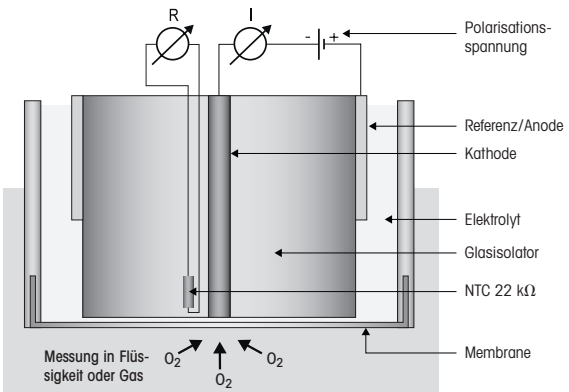
Bei den Clark-Elektroden ist die konstruktive Auslegung sehr wichtig. Speziell die Dicke des Elektrolytfilms zwischen der Kathode und der Membran muss in sehr engen Grenzen gehalten werden, um eine gute Linearität und einen tiefen Nullstrom (Strom in reinem Stickstoff) zu gewährleisten.

Die Sauerstoffsensoren von METTLER TOLEDO werden in verschiedenen Bauweisen angeboten:

Typ A, 2-Elektroden-System, InPro 6800

InPro 6800 für mittlere und höhere Sauerstoffkonzentrationen. Kathode und Anode/Referenz. Anode und Referenz sind in einer Silber/Silberchloridelektrode vereinigt.

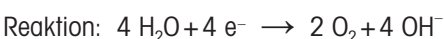
An der Anode bzw. Referenz findet folgende Gleichgewichtsreaktion statt:



Typ B, 3-Elektroden-System, InPro 6850 i

InPro 6850i für mittlere und höhere Sauerstoffkonzentrationen. Die Referenz entspricht der herkömmlichen Silber/Silberchloridanode. Die Anode ist eine Platinelektrode und von der Referenz getrennt.

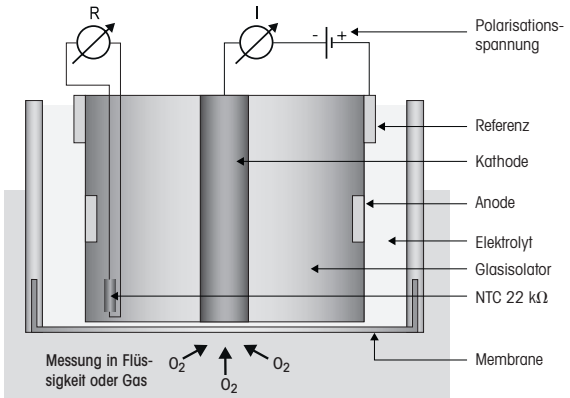
An der Anode findet folgende Reaktion statt:



Die Referenz ist eine Silber/Silberchloridelektrode. Nach der Polarisierung besteht ein stabiles Gleichgewicht zwischen Elektrodenoberfläche und Elektrolyt. Es findet keine messbare Reaktion statt.

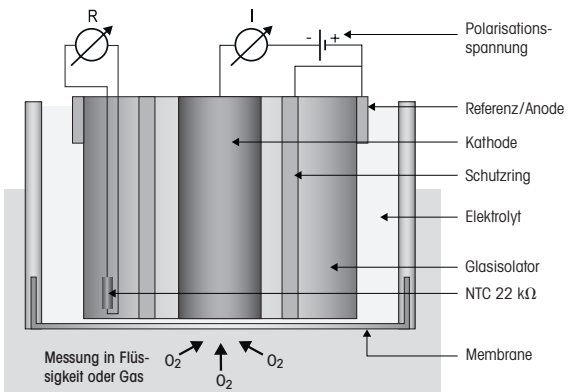
Referenzreaktion im Gleichgewicht:

Reaktion: kein Strom



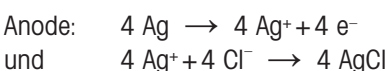
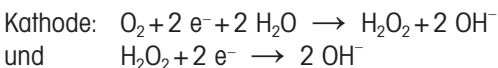
Typ C, 3-Elektroden-System, InPro 6900 (i)

InPro 6900 und InPro 6900i. Für Sauerstoffmessungen im unteren ppb-Bereich. Anode und Referenz sind hier in einer Silber/Silberchloridelektrode vereinigt (wie bei Typ A). Die Sensoren verfügen über einen zusätzlichen Guard-Ring um die Kathode. Dieser bildet wie die Kathode mit der Anode einen geschlossenen Stromkreis, welcher verhindert, dass Sauerstoff von der Seite zu der Kathode diffundiert und somit das Messergebnis verfälscht.

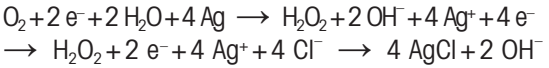


Die Funktion der Kathode ist in allen Sensoren identisch.

Zwischen Kathode und Referenz wird eine konstante Spannung von 500 bzw. 675 mV (Polarisationsspannung) angelegt. Hierdurch kommt es an der Kathode zu einer Reduktion von O₂ zu OH⁻.



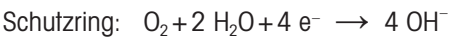
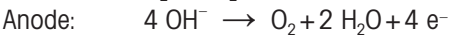
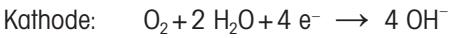
Die Gesamtgleichung lautet somit:



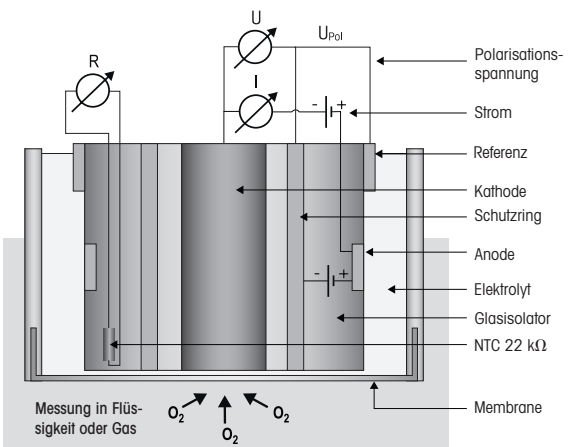
Typ D, 4-Elektroden-System, InPro 6950 (i)

Der InPro 6950(i) ist für die Messung dauerhaft niedriger Sauerstoffkonzentrationen bis 0,1 ppb geeignet. In Hinsicht auf das Messprinzip ist er eine Kombination aus dem InPro 6850i und 6900(i). Er besitzt 4 Elektroden. Anode und Referenz sind separiert in 2 Elektroden. Eine Platin Anode und eine Silber/Silberchlorid Referenz. Eine Schutzringelektrode um die Kathode, wie beim InPro 6900i ist ebenfalls vorhanden. Die Kathode besitzt den grössten Durchmesser von allen amperometrischen Sensoren von METTLER TOLEDO.

An der Elektrode finden folgende Reaktionen statt:



Aufgrund der grösseren Oberfläche der Kathode entstehen grössere Ströme während der Messung. Dies ermöglicht die Messung von Sauerstoffkonzentrationen unterhalb von 1 ppb.



Als Folge davon fliesst zwischen Kathode und Anode ein Strom (4 Elektronen pro O₂-Molekül), der proportional zum O₂-Partialdruck an der Kathode ist.

Die Stromstärke des fließenden Stroms hängt von der Oberflächengröße der Kathode ab.:

| | Luftstrom | Nullstrom in % des Luftstroms |
|---------|------------------|--|
| 6800 | 50–110 nA | < 0,1 |
| 6850(i) | 50–110 nA | < 0,1 |
| 6900(i) | 250–500 nA | < 0,03 |
| 6950(i) | 2500–5000 nA | < 0,025 |

Dieser Strom wird gemessen und im Transmitter in einen Sauerstoffwert umgerechnet und angezeigt. Bei ISM-Sensoren findet diese Berechnung im Sensor statt und der Transmitter zeigt diesen Wert an.

10.3 Einflussgrößen auf den Elektrodenstrom

Die Menge des diffundierten Sauerstoffs und die Grösse des Elektrodenstromes werden von folgenden Einflussgrößen bestimmt:

- Sauerstoffpartialdruck im Messmedium
- Membranmaterial und -dicke
- Grösse der Kathode
- Polarisationsspannung
- Temperatur
- Strömungsbedingungen im Messmedium

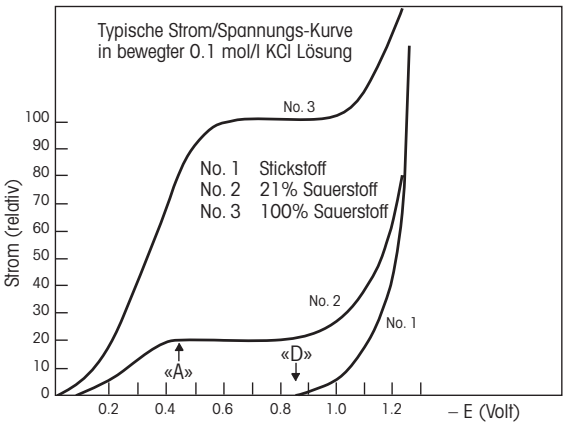
Das Gesetz nach Fick zeigt den mathematischen Zusammenhang dieser Einflussgrößen auf:

$$I = k \times D \times a \times A \times \frac{pO_2}{X}$$

- I = Elektrodenstrom
- k = Konstante
- D = O₂-Durchdringungskoeffizient der Membran
- a = Sauerstofflöslichkeit des Membranmaterials
- A = Kathodenoberfläche
- pO₂ = Sauerstoffpartialdruck im Messmedium
- X = Dicke der gasdurchlässigen Membran

10.4 Polarisationsspannung

Die Spannung zwischen Anode und Kathode ist so festgelegt, dass der Sauerstoff an der Kathode voll reduziert wird ($> A$, siehe Polarogramm), während die anderen Gase nicht angegriffen werden ($< D$). Die ideale Polarisationsspannung für Pt/Ag/AgCl Systeme oder Pt/Pt/Ag/AgCl Systeme liegt zwischen -500 und -750 mV.



Die Polarisationsspannung sollte so konstant wie möglich sein. Neben einer konstanten Spannungsquelle müssen folgende Voraussetzungen erfüllt werden: Der elektrische Widerstand des Elektrolytfilms darf einen spezifischen Wert nicht überschreiten, damit ein Spannungsabfall verhindert wird.

Die Anode muss eine grosse Oberfläche aufweisen, damit sie nicht vom Elektrodenstrom polarisiert wird.

10.5 Temperatur

Die Temperaturabhängigkeit des Elektrodenstroms bezogen auf einen konstanten Sauerstoffpartialdruck ist überwiegend durch die Eigenschaften der gasdurchlässigen Membran bestimmt.

10.6 Strömungsabhängigkeit

Bei den meisten Sauerstoffelektroden ist der Elektrodenstrom in ruhigen Messmedien kleiner als in bewegten Medien. Durch den Sauerstoffverbrauch der Elektrode wird ausserhalb der Membran in unmittelbarer Nähe der Kathode Sauerstoff aus dem Messmedium zu H₂O reduziert. Der fehlende Sauerstoff wird durch Diffusion innerhalb des Messmediums wieder ersetzt. Ist der Elektrodenstrom sehr hoch, kann der reduzierte Sauerstoff durch die Diffusion nicht mehr vollständig ersetzt werden. Dadurch resultiert ein Elektrodenstrom der tiefer ist als der, der tatsächlich dem Messmedium entsprechen würde. In bewegten Messmedien wird der verbrauchte Sauerstoff nicht nur durch Diffusion innerhalb der Flüssigkeit zugeführt, sondern zusätzlich durch die

vorbeiströmende Flüssigkeit (Konvektion). Dadurch wird eine Abnahme des Sauerstoffgehaltes an der Membranoberfläche verhindert.

Stark abhängig von den Strömungsbedingungen sind Elektroden mit grossen Kathoden und dünnen hochdurchlässigen Membranen (Elektroden mit hohem Elektrodenstrom).

Das Problem der Strömungsabhängigkeit kann meistens durch eine geringe Strömung im Messmedium gelöst werden.

In METTLER TOLEDO InPro 6950i Sensoren ist die PTFE-Membran, die den Elektrodenstrom (d.h. das aktuelle Messsignal) bestimmt, durch eine relativ dicke Silikonmembran vom Messmedium getrennt. Die Silikonmembran ist hochdurchlässig für Sauerstoffmoleküle und dient damit als Sauerstoffreservoir. Die Diffusion des Sauerstoffs vom Messmedium in die Silikonmembran wird über einen grossen Bereich verteilt. Dadurch wird weniger Sauerstoff pro Flächeneinheit reduziert. Die PTFE/Silikonmembran agiert somit als Puffer gegen hydrodynamische Störungen.

Diese Membran zusammen mit dem Schutzring und dem speziellen Elektrolyten gewährleisten eine exzellente Signalstabilität, auch wenn die hydrodynamische Strömung ausfällt (wie zum Beispiel in einer Bierabfülllinie).

10.7 Sauerstoffpartialdruck – Sauerstoffkonzentration

Der Elektrodenstrom ist abhängig vom Sauerstoffpartialdruck und der Sauerstoffdurchlässigkeit der Membran. Die Umrechnung von Partialdruck in Sauerstoffkonzentration hängt vom Messmedium (Messung in Flüssigkeiten oder Gasen) ab.

Messung in Flüssigkeiten

Wird in Flüssigkeiten gemessen, hängt die Sauerstoffkonzentration zusätzlich von der Löslichkeit des Sauerstoffs im Messmedium ab. Da diese aber vom Sensorstrom nicht erfasst wird, muss die Sauerstoffkonzentration im Transmitter berechnet werden. Dazu wird das Gesetz nach Henry angewendet welches besagt, dass die Sauerstoffkonzentration proportional zum Sauerstoffpartialdruck (pO_2) ist.

$$CI = pO_2 \times a$$

a = Löslichkeitsfaktor

Wenn « a » konstant ist, kann die Sauerstoffkonzentration mit der Elektrode bestimmt werden. Dies stimmt jedoch nur bei konstanter Temperatur und für verdünnte wässrige Lösungen, wie zum Beispiel Trinkwasser.

Der Löslichkeitsfaktor ist nicht nur im starken Masse von der Temperatur abhängig, sondern auch von der Zusammensetzung des Messmediums:

| Medium, gesättigt mit Luft | Löslichkeit bei 20 °C und 760 mm Hg |
|---------------------------------------|--|
| Wasser | 9,2 mg O ₂ /l |
| 4 mol/l KCl | 2 mg O ₂ /l |
| 50 % Methanol-Wasser | 21,9 mg O ₂ /l |

Obwohl die Löslichkeit sehr stark variiert, ergeben die Messungen mit der Sauerstoffelektrode für alle Messmedien den gleichen Wert.

Folglich ist die Bestimmung der Sauerstoffkonzentration nur möglich, wenn der Löslichkeitsfaktor «a» bekannt und konstant ist.

Die Löslichkeit kann mit einer Winkler-Titration oder der durch Käppeli und Fiechter entwickelten Methode bestimmt werden.

Messung in Gasen

Die Sauerstoffkonzentration bei der Messung in Gasen wird immer als Volumenanteil der Gaszusammensetzung angegeben. Gängige Einheiten sind % (Vol.) und ppm (Vol.).

Sie lassen sich einfach von der einen in die andere Masseinheit umrechnen.

Beispiel:

Allgemein bekannt sind die Volumenprozent Angaben bei der Zusammensetzung der Luft. So enthält Luft beispielsweise 20,95 % Sauerstoff. Dies entspricht 209'500 ppm (Vol.).

(Umrechnung: Wert ppm = 10'000 × Wert in %)

Referenzen

- W.M. Krebs, I.A. Haddad *Develp. Ind. Microbio.*, 13, 113 (1972)
- H. Bühler, *W. Ingold GIT* 20, 977 (1976)
- W.M. Krebs, *MBAA Techn. Quart.* 16, 176 (1975)
- D.P. Lucero, *Ana. Chem.* 40, 707 (1968)

Sondes O₂

InPro 6850 i, 6900 i & 6950 i

Instructions d'utilisation

InPro, InDip, InFit, ISM et InTrac sont des marques du groupe METTLER TOLEDO.

Table des matières

| | | |
|------------|---|------------|
| 1. | Introduction | 84 |
| 2. | Remarques importantes | 85 |
| 2.1 | Remarques concernant les instructions d'utilisation | 85 |
| 2.2 | Emploi approprié | 85 |
| 2.3 | Consignes de sécurité | 86 |
| 2.4 | Protection de l'environnement | 88 |
| 2.5 | Quelques exemples typiques d'application | 88 |
| 2.6 | Utilisation dans les zones Ex | 88 |
| 2.7 | Classification Ex selon ATEX | 89 |
| 2.7.1 | Introduction | 89 |
| 2.7.2 | Données nominales | 89 |
| 2.7.3 | Conditions spéciales | 90 |
| 2.8 | Classification Ex – certifiée FM | 91 |
| 2.8.1 | Introduction | 91 |
| 2.8.2 | Données nominales | 92 |
| 2.8.3 | Conditions spéciales | 92 |
| 2.8.4 | Normes appliquées : | 93 |
| 3. | Description du produit | 94 |
| 3.1 | Informations générales | 94 |
| 3.2 | Principe de fonctionnement | 94 |
| 3.3 | Livraison | 95 |
| 3.4 | Pièces de l'appareil | 96 |
| 4. | Installation | 97 |
| 4.1 | Montage de la sonde | 97 |
| 4.2 | Connexion | 97 |
| 4.2.1 | Connexion de la sonde à un câble AK9 | 97 |
| 4.2.2 | Connexion du câble AK9 au transmetteur | 98 |
| 5. | Fonctionnement | 99 |
| 5.1 | Mise en service et polarisation | 99 |
| 5.2 | Étalonnage | 100 |
| 5.2.1 | L'effet de l'étalonnage | 100 |
| 5.2.2 | A quoi faut-il veiller pendant l'étalonnage | 100 |
| 5.2.3 | Étalonnage à un point | 101 |
| 5.2.4 | Étalonnage à deux points | 101 |
| 6. | Entretien | 102 |
| 6.1 | Contrôle de la sonde | 102 |
| 6.1.1 | Examen visuel | 102 |
| 6.1.2 | Test de la sonde avec le O ₂ Sensor-Master de METTLER TOLEDO | 103 |
| 6.1.3 | Test de la sonde à l'aide d'un transmetteur | 104 |
| 6.1.4 | Version ISM | 105 |
| 6.2 | Remplacer l'électrolyte ou le module à membrane ou le corps interne | 105 |
| 7. | Conservation | 108 |
| 8. | Caractéristiques du produit | 108 |
| 8.1 | Certificats | 108 |
| 8.2 | Spécifications | 109 |
| 9. | Informations pour la commande | 111 |
| 9.1 | Sondes avec fonctionnalité ISM | 111 |
| 9.2 | Assecoires | 111 |
| 9.3 | Pièces de rechange | 111 |
| 9.4 | Transmetteurs recommandés | 112 |
| 9.5 | Supports recommandés | 113 |
| 10. | Théorie de la sonde polarographique | 114 |
| 10.1 | Introduction | 114 |
| 10.2 | Principe de conception d'une sonde à oxygène | 115 |
| 10.3 | Paramètres déterminant le courant | 118 |
| 10.4 | La tension de polarisation | 119 |
| 10.5 | La température | 119 |
| 10.6 | Dépendance relative à l'écoulement | 119 |
| 10.7 | Pression partielle d'oxygène – concentration en oxygène | 120 |

1 Introduction

Nous vous remercions d'avoir acheté **la sonde O₂ InPro™ 6850i/6900i/6950i de METTLER TOLEDO.**

Les sondes de la série InPro sont construites selon l'état actuel de la technique et correspondent aux règles techniques de sécurité reconnues.

Cela n'empêche, qu'en cas de fausse manipulation, elles puissent présenter des dangers pour l'opérateur ou pour des tiers, ou encore pour l'installation elle-même ou d'autre biens corporels.



C'est pourquoi les personnes concernées doivent d'abord lire et comprendre les Instructions d'utilisation.

Les instructions d'utilisation doivent être conservées à portée de main, dans un endroit accessible à toutes les personnes utilisant la sonde.

Pour toute question non exposée exhaustivement ou ne figurant pas dans les présentes instructions d'utilisation, veuillez prendre contact avec votre représentant METTLER TOLEDO. Nous sommes volontiers à votre disposition.

2 Remarques importantes

2.1 Remarques concernant les instructions d'utilisation

Les instructions d'utilisation vous expliquent comment utiliser la sonde InPro 6850 i/6900 i/6950 i de manière efficace et tel qu'il se doit.

Ces instructions d'utilisation s'adressent au personnel en charge de l'utilisation et de la maintenance des sondes, personnel qui est supposé connaître l'installation dans laquelle la sonde est intégrée.

Notes et symboles d'avertissement

Dans ce mode d'emploi, les consignes de sécurité et autres informations sont signalées par les symboles suivants :



Ce symbole a pour but d'attirer l'attention sur les consignes de sécurité et avertissements relatifs à des dangers potentiels qui, s'ils ne sont pas pris en considération, pourraient être à l'origine de blessures et/ou de dommages.



Ce symbole signale des informations ou instructions complémentaires qui, si elles ne sont pas prises en compte, pourraient occasionner des défauts, un fonctionnement inefficace ou une éventuelle diminution de la production.

2.2 Emploi approprié

Les capteurs METTLER TOLEDO InPro 6850 i/6900 i/6950 i servent à la mesure en ligne de la pression partielle d'oxygène dans les liquides et les gaz, conformément aux indications de cette notice d'emploi.

Un emploi différent ou dépassant celui décrit dans cette notice d'emploi n'est pas considéré comme approprié.

Le fabricant/fournisseur décline toute responsabilité en cas de dommages résultant d'un tel emploi, dont seul l'utilisateur assume le risque.

L'emploi approprié suppose de plus :

- Le respect des instructions, consignes et remarques de la présente notice d'emploi.
- L'inspection, l'entretien et le contrôle de fonctionnement périodiques des composants utilisés incombent à l'utilisateur qui doit, en outre, respecter les prescriptions locales de sécurité du travail et des installations.
- Le respect de toutes les remarques et mises en garde dans les publications concernant les produits utilisés en combinaison avec le capteur (supports, transmetteurs, etc.).

- Le respect des consignes de sécurité de l'installation sur laquelle le capteur est monté.
- L'utilisation correcte en respectant les conditions d'exploitation et de protection de l'environnement prescrites ainsi que les installations accessoires autorisées.
- En cas d'incertitude, s'informer impérativement auprès de METTLER TOLEDO.

2.3 Consignes de sécurité



- L'exploitant de l'installation doit être conscient des éventuels risques et dangers de son procédé ou installation. Il est responsable de la formation du personnel servant, de la signalisation des dangers potentiels et du choix de l'instrumentation appropriée en fonction de l'état de la technique.
- Le personnel servant impliqué dans la mise en service, l'utilisation et l'entretien de ce capteur ou d'un de ses produits auxiliaires (supports, transmetteurs, etc.) doit nécessairement être instruit du procédé de production et des produits. Ceci inclut la lecture et la compréhension de la présente notice d'emploi.
- La sécurité du personnel servant et des installations incombe en dernier ressort à l'exploitant de l'installation. Ceci s'applique notamment aux installations se trouvant dans des zones à danger d'explosion.
- Le capteur d'oxygène et ses composants n'ont pas d'effet sur le procédé et ne peuvent l'influencer dans le sens d'une régulation ou d'un pilotage.
- Les intervalles d'entretien et de maintenance dépendent des conditions d'exploitation, des substances présentes, de l'installation et de la signification du système de mesure en matière de sécurité. Les procédés des clients varient fortement, de sorte que les indications données ne peuvent être qu'indicatives et doivent, dans chaque cas, être vérifiées par l'exploitant de l'installation.
- Si des mesures de protection particulières sont exigées, telles que des serrures, inscriptions ou systèmes de mesure redondants, l'exploitant est chargé de les prévoir.
- Un capteur défectueux ne doit ni être monté ni mis en service.
- Des travaux d'entretien autres que ceux décrits dans cette notice d'emploi ne doivent pas être effectués sur le capteur.
- N'utilisez que des pièces d'origine METTLER TOLEDO pour le remplacement de composants défectueux (voir « Chapitre 9.3, Pièces de rechange »).
- Ne pas apporter de modifications aux capteurs et

aux accessoires. Le fabricant/fournisseur décline toute responsabilité en cas de modifications non autorisées, dont seul l'utilisateur assume le risque.



- Lors de l'utilisation de câbles pour le raccordement de la sonde qui ne sont pas fournis ni recommandés par le fabricant, il faut prendre en compte les normes suivantes :
 - US National Electrical Code® (ANSI/NFPA 70 [NEC®]), le cas échéant.
 - Canadian Electrical (CE) Code® (CEC Partie 1, CAN/CSA-C22.1), le cas échéant.
- Pour obtenir des conseils sur les installations aux États-Unis, voir ANSI/ISA-RP12.06.01, Installation de systèmes à sécurité intrinsèque pour zones (classées) dangereuses.
- L'équipement de la salle de contrôle connecté à l'appareil associé à sécurité intrinsèque aux États-Unis ne doit pas utiliser ou générer plus que l'Um spécifié de l'appareil associé.
- Il convient de prendre des précautions pendant l'installation pour éviter les impacts ou frictions qui pourraient créer une source d'inflammation.
- L'altération et le remplacement des pièces par des composants non autorisés peuvent compromettre l'utilisation sûre du système.
- L'insertion ou le retrait de modules ou connecteurs électriques amovibles doit uniquement être effectué lorsqu'il est confirmé que la zone ne contient plus aucune vapeur inflammable.
- **ATTENTION !**
UN APPAREIL À SÉCURITÉ INTRINSÈQUE PEUT ÊTRE UNE SOURCE D'INFLAMMATION SI LES ESPACEMENTS INTERNES SONT RÉDUITS OU SI LES CONNEXIONS SONT OUVERTES.
- **ATTENTION !**
NE PAS OUVRIR EN PRÉSENCE D'UNE ATMOSPHÈRE EXPLOSIBLE.
- **ATTENTION !**
LE REMPLACEMENT DE COMPOSANTS PEUT NUIRE À LA SÉCURITÉ INTRINSÈQUE.
- **ATTENTION !**
LE REMPLACEMENT DE COMPOSANTS PEUT NUIRE À L'ADÉQUATION DE L'ÉQUIPEMENT.
- **ATTENTION !**
RACCORDEMENT À DES PROCÉDÉS ININFLAMMABLES UNIQUEMENT.
- **ATTENTION !**
POUR MAINTENIR LA CLASSIFICATION IP66 DU BOÎTIER, LE CONNECTEUR DOIT ÊTRE ENTIÈREMENT ENGAGÉ.

2.4 Protection de l'environnement



Les produits électriques usagés ne devraient pas être jetés avec les déchets ménagers. Merci de les déposer dans les points de collecte afin qu'ils soient recyclés. Contactez vos autorités locales ou votre vendeur pour obtenir des conseils en matière de recyclage.

2.5 Quelques exemples typiques d'application

La liste suivante énumère quelques exemples d'application typiques, non limitatifs, du capteur d'oxygène.

Mesure dans des liquides :

- Biotechnologie
- Applications chimiques
- Brasseries
- Filtration de boissons
- Conditionnement de boissons

Mesure dans des gaz :

- Récupération de CO₂
- Pureté du CO₂
- Protection du produit lors du stockage
- Production exempte d'oxygène

2.6 Utilisation dans les zones Ex



Prudence !

Pour une installation dans les zones Ex veuillez-vous référer aux indications suivantes :

CE 1258 UK
CA 2503

Classification Ex selon ATEX :

- ⬡ II 1/2G Ex ia IIC T6...T3 Ga/Gb
- ⬡ II 1/2D Ex ia IIC T69 °C...T161 °C Da/Db

Numéro du certificat de vérification :

SEV 14 ATEX 0169X
IECEX SEV 14.0026X
CML 22 UKEX 2212X

Ex-classification FM éprouvé :



IS/I, II, III/1 /ABCDEFG/T6 Ta = 60 °C
– 53 800 002; Entity

ID du projet : 3021227

Numéro du certificat FM : FM16US0034X
FM18CA0021X

2.7 Classification Ex selon ATEX

2.7.1 Introduction

- Conformément à la directive 2014/34/UE (ATEX 114)¹⁾, Annexe I, les sondes à oxygène InPro 6XXX*/**/*/* sont des dispositifs de groupe II, catégorie 1/2G. Conformément à la directive 99/92/CE (ATEX 137)²⁾, elles peuvent également être utilisées dans les zones 0/1 ou 1/2 ou 1 ou 2, ainsi que dans les groupes de gaz IIA, IIB et IIC, qui sont potentiellement explosifs en présence de matériaux combustibles dans les classes de températures indiquées ci-dessus.
- Lors de l'utilisation/installation, les exigences de la norme européenne EN 60079-14 doivent être respectées.
- Conformément à la directive 2014/34/UE (ATEX 114)¹⁾, Annexe I, les sondes à oxygène InPro 6XXX*/**/*/* sont des dispositifs de groupe II, catégorie 1/2D et conformément à la directive 99/92/CE (ATEX 137)²⁾, elles peuvent également être utilisées dans des zones 20/21 ou 21 ou 22 contenant des poussières combustibles.
- Le circuit de la sonde numérique fait partie d'un système de sécurité intrinsèque commun et, pour le fonctionnement, est raccordé à un transmetteur homologué séparément.
- Le circuit de la sonde numérique, en tant que composant d'un système de sécurité intrinsèque, est isolé des circuits électriques dépourvus de sécurité intrinsèque jusqu'à une tension nominale de 375 V et des parties mises à la terre jusqu'à une tension nominale maximale de 30 V.

2.7.2 Données nominales

Circuit de mesure

Protection contre l'inflammation à sécurité intrinsèque de classification Ex ia IIC uniquement pour le raccordement à un circuit à sécurité intrinsèque certifié.

Sonde à oxygène (O₂) numérique, valeurs maximales

Circuit de courant à deux fils :

$$U_i \leq 16 \text{ V}$$

$$I_i \leq 30 \text{ mA}$$

$$P_i \leq 50 \text{ mW}$$

$$L_i = \text{négligeable}$$

$$C_i = \text{négligeable}$$

¹⁾ Pour les exigences légales britanniques SI 2016 n° 1107

²⁾ Pour les réglementations britanniques 7 et 11 des réglementations sur les substances dangereuses et les atmosphères explosives de 2002 (DSEAR)

2.7.3 Conditions spéciales

- Le lien entre la température du milieu/ambiante maximale autorisée et la classe de températures, pour les applications de la catégorie 1G, zone 0, est indiqué dans le tableau suivant :

| Classe de températures | Température du milieu/ambiante max. |
|-------------------------------|--|
| T 6 | 68 °C |
| T 5 | 80 °C |
| T 4 | 108 °C |
| T 3 | 160 °C |

- Le lien entre la température du milieu/ambiante maximale autorisée et la classe de températures, pour les applications de la catégorie 1D, zone 20, est indiqué dans le tableau suivant :

| Classe de températures | Température du milieu/ambiante max. |
|-------------------------------|--|
| T 69 °C | 68 °C |
| T 81 °C | 80 °C |
| T 109 °C | 108 °C |
| T 161 °C | 160 °C |

- La capacitance et l'inductance du câble raccordé doivent être prises en compte.
- La sonde à oxygène (O₂) de type InPro 6XXX peut être fixée sur des supports InFit™ 76*-*** ou InTrac™ 7**-*** ou sur d'autres supports adaptés aux zones potentiellement explosives.
- La structure métallique des sondes à oxygène (O₂), les supports InFit 76*-*** ou InTrac 7**-***, ainsi que d'autres raccords appropriés peuvent être intégrés au test de pression de routine du système.
- Le raccord indépendant utilisé pour l'installation des sondes à oxygène (O₂) doit être raccordé de façon conductrice au système de liaison équipotentielle.

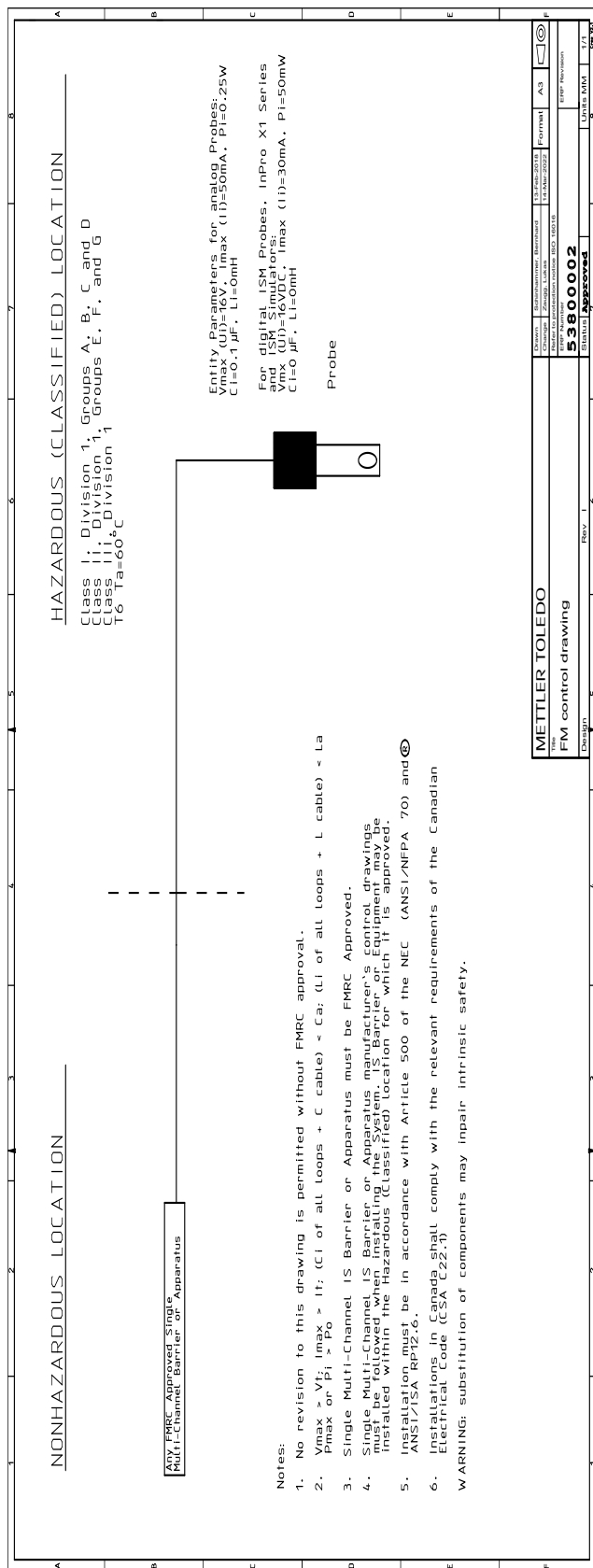
2.8



Classification Ex – certifiée FM

2.8.1 Introduction

Le schéma de contrôle FM suivant et les normes énumérées dans la section 2.8.4 doivent être respectés, le cas échéant :



2.8.2 Données nominales

Pour les données nominales, veuillez vous référer à la section 2.7.2.

2.8.3 Conditions spéciales

Pour les appareils à sécurité intrinsèque, les sondes analytiques (Série InPro 6000 avec boîtiers de séries InFit 76X/Y et InTrac 7XX/YY) sont conçues avec les conditions d'utilisation spécifiques suivantes.

Pour le type de protection d'appareil à sécurité intrinsèque, l'équipement de sondes analytiques (Série InPro 6000 avec boîtiers de séries InFit 76X/Y et InTrac 7XX/YY) est conçu avec les conditions d'utilisation spécifiques suivantes.

1. La sonde à oxygène doit être installée conformément aux exigences en matière de boîtier, de montage, d'espacement et d'isolement de l'application finale. Cela signifie notamment que l'outil doit être muni d'un couvercle amovible. La sonde peut être utilisée avec les boîtiers homologués de séries FM InFit 76X/Y et InTrac 7XX/YY.
2. La température de procédé ne doit pas dépasser +130 °C.
3. La pression de service maximale admissible doit être de 12 bar (174 psi).
4. Danger potentiel de charge électrostatique !
Nettoyez la surface non métallique uniquement à l'aide d'un chiffon humide afin d'éviter la formation d'étincelles électrostatiques.
5. Les boîtiers contenant du titane constituent un risque potentiel d'inflammation par impact ou friction. Veuillez prendre les précautions nécessaires pendant l'installation et l'utilisation afin d'éviter tout choc ou frottement de l'instrument.

2.8.4 Normes appliquées :

Normes américaines

| Titre | Numéro | Date de publication |
|--|-----------------------|----------------------------|
| Approval Standard for Electrical Equipment for Use in Hazardous (Classified) Locations – General Requirements | FM Class 3600 | 2022 |
| Approval Standard for Intrinsically Safe Apparatus and Associated Apparatus for Use in Class I, II & III, Division 1, Hazardous (Classified) Locations | FM Class 3610 | 2021 |
| Approval Standard for Electrical Equipment for Measurement, Control and Laboratory Use | FM Class 3810 | 2021 |
| Explosive Atmospheres – Part 0: Equipment – General Requirements | ANSI/UL 60079-0:2020 | 2020 |
| Explosive Atmospheres – Part 11: Equipment Protection by Intrinsic Safety “i” | ANSI/UL 60079-11:2018 | 2018 |
| Safety Requirements for Electrical Equipment for Measurement, Control, and Laboratory Use – Part 1: General Requirements | ANSI/UL 61010-1:2018 | 2018 |

Normes canadiennes

| Titre | Numéro | Date de publication |
|--|-------------------------------------|----------------------------|
| Explosive Atmospheres – Part 0: Equipment – General Requirements | CAN/CSA-C22.2 No. 60079-0:2019 | 2019 |
| Explosive Atmospheres – Part 11: Equipment Protection by Intrinsic Safety “i” | CAN/CSA-C22.2 No. 60079-11-14:R2018 | R2018 |
| Safety Requirements for Electrical Equipment for Measurement, Control, and Laboratory Use – Part 1: General Requirements | CAN/CSA-C22.2 No. 61010-1-12:R2017 | R2017 |

3 Description du produit

3.1 Informations générales

Les sondes de la série InPro 6850 i/6900 i/6950 i avec sonde de température intégrée sont utilisées pour la mesure précise de faibles et moyennes concentrations d'oxygène.

Les sondes sont **stérilisables** et la plupart sont **autoclavables**. Les sondes sont **compatible NEP** (Nettoyage-En-Place).

Les sondes InPro 6xxx i avec fonctionnalité ISM™ permettent le « Plug & Measure » et offrent des fonctionnalités de diagnostic étendues.

3.2 Principe de fonctionnement

Sondes d'oxygène polarographiques :

Le système de mesure de toutes les sondes d'oxygène polarographiques repose sur la configuration de Clark. Il existe toutefois différents modèles dont les spécifications varient nettement en fonction du nombre et de l'implantation des électrodes :

- Le système de mesure des sondes InPro se compose d'une électrode de travail (cathode), d'une contre-électrode (anode), d'une électrode de référence et d'un anneau de garde. Le système de mesure est séparé du milieu du procédé par une membrane perméable à l'oxygène.
- Toutes les sondes utilisent le même principe de mesure.
- Le transmetteur génère une tension constante entre la cathode et l'anode.
- L'électrolyte sert à établir une liaison conductrice entre les électrodes.
- Les molécules d'oxygène se diffusent du milieu de mesure, à travers le diaphragme, en direction de la cathode alimentée en tension, et sont réduites. Simultanément, une oxydation se produit au niveau de l'anode lors de l'arrivée de l'oxygène et de l'eau dans l'électrolyte.
- Ainsi, un courant circule entre l'anode et la cathode ; il est directement proportionnel à la pression partielle de l'oxygène (pO_2) dans le milieu du procédé. Dans le cas des versions avec ISM numérique, l'intensité du courant à l'intérieur de la sonde est convertie en une concentration en oxygène, dont la valeur est communiquée au transmetteur.
- L'anneau de garde intégré à la sonde InPro 6900 i et à l'InPro 6950 i réduit l'oxygène, qui peut se diffuser latéralement vers la cathode et falsifier la mesure. L'anneau de garde permet donc d'identifier précisément des traces d'oxygène, même dans les concentrations les plus faibles.

Le système à 4 électrodes de la sonde InPro 6950 garantit une grande justesse, une réponse rapide et une limite de détection basse.



Remarque : pour de plus amples informations, reportez-vous au « Chapitre 10 – Théorie de la sonde polarographique ».

Sondes ISM :

Toutes les sondes à oxygène avec suffixe « i » (6850i, 6900i, 6950i) sont équipées de l'ISM.

Principe : la tête de la sonde est équipée d'une puce. Celle-ci sert non seulement à commander et contrôler la sonde, mais aussi à enregistrer l'ensemble des données.

Les données de la sonde disponibles en permanence sont les suivantes :

- Type de sonde
- Numéro de série
- Version logicielle
- Version matérielle
- Numéro de commande
- Durée de service
- Date et heure d'étalonnage
- Table d'étalonnage

Les grandeurs surveillées à des fins de contrôle sont les suivantes :

- Température
- Pente
- Courant résiduel
- Courant de l'air
- Tension de polarisation

C'est sur ces informations que le moniteur d'usure du transmetteur se fonde. La représentation des informations varie selon le type de transmetteur. (Reportez-vous aux instructions d'utilisation afférentes.)

L'ISM forme une interface entre la sonde et le logiciel iSense. Ce logiciel gère toutes les informations relatives à la sonde, lesquelles sont consignées dans une base de données. Il permet également d'étalonner la sonde.

3.3 Livraison

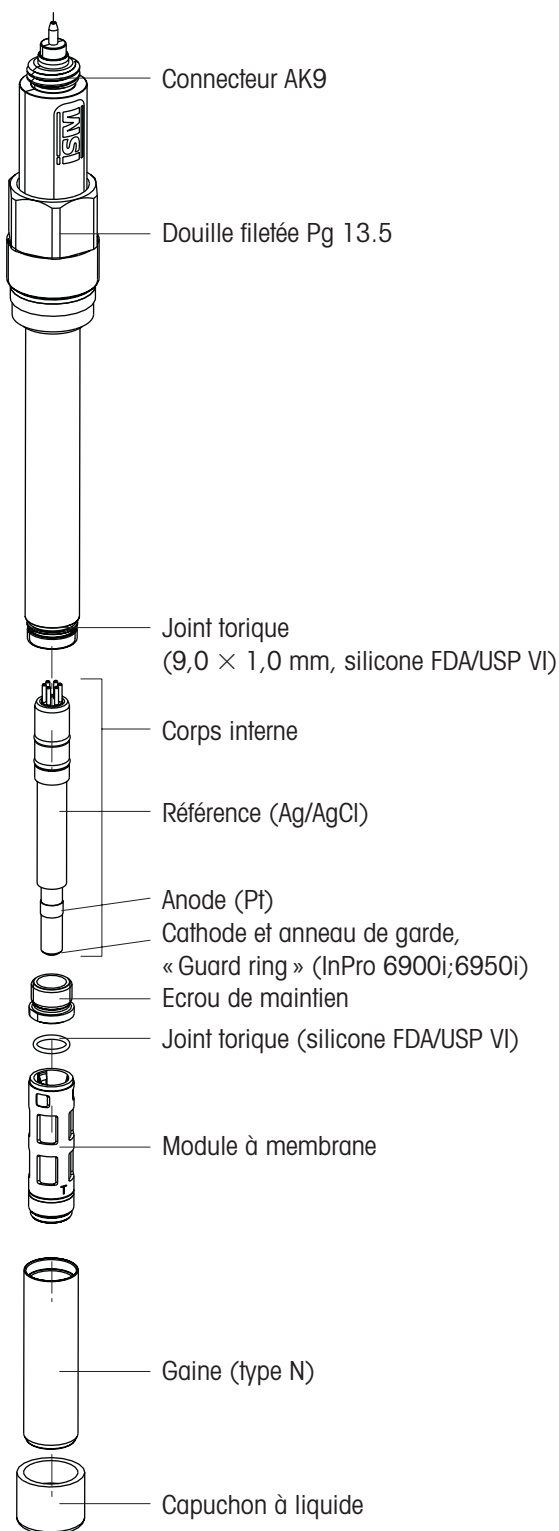
Chaque sonde est complètement montée et testée en usine afin de garantir un fonctionnement correct. La sonde est livrée avec :

- Un certificat de contrôle de la qualité
- Des certificats d'examen 3.1 (en conformité avec la norme EN 10204)

Les sondes ISM d'oxygène de METTLER TOLEDO sont fournies avec le module de membrane correct et capuchon de protection, mais sans électrolyte. Ils ont été vérifiés pour un fonctionnement correct. Veuillez s'il vous plaît prendre note des informations pour la commande d'électrolyte dans la section 9.3 «Accessoires».

3.4 Pièces de l'appareil

Sonde 12 mm



Les sondes ISM O₂ METTLER TOLEDO sont livrées avec module à membrane monté, sans électrolyte et avec capuchon de protection placé. Leur fonctionnement a été testé.

4 Installation

4.1 Montage de la sonde



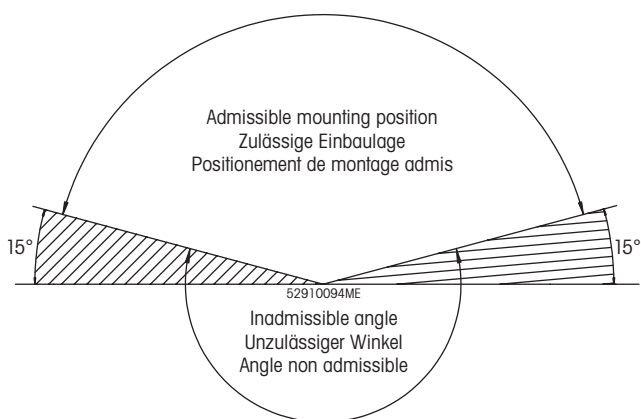
Important ! Avant de monter la sonde, enlevez le capuchon de protection.

Montage de la sonde dans un support

Veillez vous reporter au manuel du support afin de savoir comment monter la sonde à cet endroit.

Montage de la sonde directement sur une conduite ou une cuve

Les sondes O₂ 12 mm peuvent être montées directement sur un manchon avec un filet femelle Pg 13.5 et fixés en place au moyen le manchon fileté Pg 13.5.



4.2 Connexion

4.2.1 Connexion de la sonde à un câble AK9

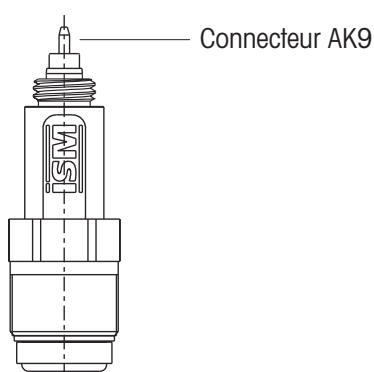
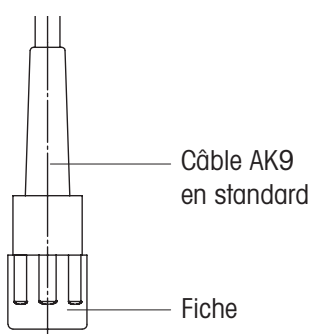


La sonde est connectée à un transmetteur à l'aide d'un câble AK9. Dans des conditions d'utilisation industrielles lourdes, le câble AK9 garantit une connexion fiable entre le transmetteur et la sonde. La robuste fiche de connexion IP 68 étanche garantit une sécurité maximale lors de l'utilisation de l'appareil.

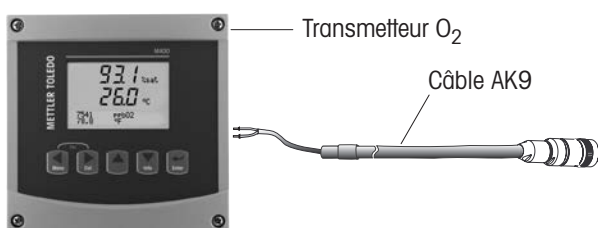



Evitez d'entrer en contact avec le connecteur AK9 de la sonde !

Serrez fermement la fiche pour assembler les deux parties.



4.2.2 Connexion du câble AK9 au transmetteur



 **Indication : pour relier le câble AK9 au transmetteur veuillez suivre les instructions de la notice d'emploi du transmetteur METTLER TOLEDO.**

5 Fonctionnement



Important ! Avant d'utiliser la sonde pour la première fois, de l'électrolyte doit être ajouté au corps à membrane (voir « Chapitre 6.2 »).

5.1 Mise en service et polarisation

Important ! Avant le montage/la mise en service de la sonde, enlevez le capuchon de protection.

Lors de la première mise en service de la sonde, ou si la sonde a été déconnectée de sa source de tension (transmetteur ou module de polarisation) pendant plus de 5 minutes, la sonde doit être polarisée, avant étalonnage, en la reliant au transmetteur O₂ en marche ou à un module de polarisation. La sonde est polarisée et prête à fonctionner au bout de six heures.



L'InPro 6950 i ne doit jamais être polarisé à l'air!

Durant le processus de polarisation, nous vous conseillons de laisser sur la sonde le capuchon de protection rempli de solution de nettoyage et de conditionnement nouvelle (reportez-vous au « Chapitre 7 – Conservation »), surtout lorsque la polarisation dure plus de 6 heures (Exception : La version ISM InPro 6850 i atteint la polarisation après 1 h et est alors prête à fonctionner).

Une durée de polarisation plus courte suffit si l'interruption a été brève (quelques minutes). Le tableau suivant sert à déterminer la durée de polarisation correcte en fonction de la durée de dépolarisation.

| Durée de polarisation ¹ t_{depol} [Min.] | Durée minimal de polarisation requise ² [Min.] | |
|---|---|--------------|
| | InPro 6900 i; InPro 6850 i | InPro 6950 i |
| > 30 | 360 | 60 |
| 15 to 30 | $6 \times t_{\text{depol}}$ | 45 |
| 5 to 15 | $4 \times t_{\text{depol}}$ | 30 |
| < 5 | $6 \times t_{\text{depol}}$ | 0 |

- 1 Durée de dépolarisation : Durée pendant laquelle la tension de polarisation n'est pas appliquée, ce qui est le cas :
 - Si le câble est détaché ou si le transmetteur ou le module de polarisation n'est pas relié au câble, ou si le transmetteur a été séparé de l'alimentation,
 - Après le remplacement de l'électrolyte et/ou du module à membrane, après lesquels on doit polariser au moins pendant 6 h (InPro 6850 i ; 1 h).
- 2 Durée de polarisation : Durée pendant laquelle la tension de polarisation est appliquée à la sonde.



Important ! Réglage de la tension de polarisation pour une mesure correcte :

- Applications standard InPro 6850 i : **-675 mV**

- Mesures de concentrations d'oxygène constamment faibles (< 500 ppb en liquide ou <10'000 ppm [vol.] en gaz) en présence de composants acides volatils (par exemple dioxyde de carbone pour les mesures en brasserie) p. ex. InPro 6900i/6950i : **–500 mV**



Remarque : Le transmetteur doit être réglé de façon à délivrer la tension de polarisation correcte.

5.2 Etalonnage

5.2.1 L'effet de l'étalonnage

Chaque sonde d'oxygène a une pente et un zéro caractéristiques. Les deux valeurs changent, par exemple, par épuisement de l'électrolyte ou après remplacement de l'électrolyte ou du module à membrane. Afin que la sonde mesure avec une haute exactitude, il faut par conséquent effectuer un étalonnage régulièrement, au moins toutefois après remplacement de l'électrolyte ou de la membrane. Avant l'étalonnage, il faut polariser la sonde pendant au moins 6 heures (InPro 6850i ; 1 h).



Veillez retirer le bouchon de protection de la sonde, rincer la sonde avec de l'eau et la laisser sécher à l'air libre avant de commencer l'étalonnage.



Afin de savoir si votre sonde a besoin d'être étalonnée, vous pouvez la sécher, la soulever dans l'air et vous assurer qu'elle affiche près de 100%. Dans le cas contraire, votre sonde nécessite un nouvel étalonnage.

Avec les versions ISM, toutes les données d'étalonnage sont enregistrées à l'intérieur même de la sonde.

5.2.2 A quoi faut-il veiller pendant l'étalonnage

Le calibrage s'effectue généralement avec la tension de polarisation, qui le mesure également.

Un calibrage de point zéro est recommandé :

- en cas de mesure inférieure à 5 ppb dans un liquide,
- en cas de mesure inférieure à 125 ppm (vol.) dans des gaz.

Le programme de calibrage disponible automatiquement dans le transmetteur M700 (SW700-011 « compensation de CO₂ ») ne convient pas aux sondes InPro 6900i/6950i .



Remarque générales :

- **En cas d'étalonnage par l'air, la membrane de la sonde doit être sèche**, car des gouttes d'eau adhérant à la membrane faussent la valeur de mesure de l'oxygène.
- Assurez-vous que **l'indice de saturation en oxygène** du milieu d'étalonnage est **juste et reste constant** pendant l'étalonnage.

- Si l'étalonnage a lieu dans l'eau ou dans un milieu de mesure, **le milieu d'étalonnage doit être en état d'équilibre avec l'air**. L'échange d'oxygène entre l'eau et l'air est très lent. Il faut par conséquent relativement longtemps pour saturer l'eau en air.
- Un minimum de circulation est nécessaire dans le milieu qui baigne la sonde.
- Veiller à maintenir constants tous les autres paramètres comme la température et la pression.

En fonctionnement continu nous recommandons un **réétalonnage périodique dépendant de l'exactitude souhaitée, de la nature du procédé et de votre expérience**. La fréquence de réétalonnage requise dépend fortement de l'application et ne peut donc pas être indiquée avec exactitude à cet endroit.

5.2.3 Etalonnage à un point

L'étalonnage à un point détermine la pente de la sonde. Le milieu d'étalonnage est de l'eau avec une saturation en oxygène connue (par exemple eau saturée d'air) ou de l'air avec une saturation en vapeur d'eau connue (air saturé en vapeur d'eau).

Lorsque le signal de la sonde est stable, la grandeur de mesure voulue est amenée à 100 % sur le transmetteur, par exemple 100 % air, 20,95 % O₂ ou 8,26 ppm – à 25 °C, pression normale (voir mode d'emploi du transmetteur).

5.2.4 Etalonnage à deux points

L'étalonnage à deux points détermine la pente et le zéro de la sonde.



Important ! En cas d'étalonnage à deux points, commencez toujours par le point d'étalonnage zéro avant de procéder à l'étalonnage de la pente.

En règle générale le zéro devrait être réglé sur zéro ou il est automatiquement posé à zéro par le transmetteur (voir mode d'emploi du transmetteur).

Un calibrage de point zéro est recommandé :

- en cas de mesure inférieure à 5 ppb dans des liquides,
- en cas de mesure inférieure à 125 ppm (vol.) dans des gaz.



Prudence ! Un étalonnage incorrect du zéro constitue une fréquente source d'erreur. Pour le réaliser correctement nous recommandons d'utiliser de dioxyde de carbone comme milieu de mesure du zéro ou un autre milieu exempt d'oxygène et d'un degré de pureté d'au moins 99,9995 %.

Lorsque le signal de la sonde est stable (après 6 à 12 heures), la grandeur de mesure voulue est amenée à zéro sur le transmetteur, par exemple 0 % air, 0,0 % O₂ ou 0,0 ppm (voir mode d'emploi du transmetteur).

6 Entretien

6.1 Contrôle de la sonde

6.1.1 Examen visuel

Pour contrôler la sonde, nous recommandons de procéder comme suit :

- Les contacts du connecteur doivent être secs. La présence d'humidité, de traces de corrosion et de saletés sur les contacts peut causer de fausses valeurs de mesure.
- Vérifier que le câble ne présente pas de pliures, de points fragiles ou de ruptures.
- Avant chaque étalonnage vérifier visuellement le bon état de la membrane. Elle doit être intacte et propre. Si elle est sale, nettoyer la membrane avec un chiffon doux et humide.



Remarque : pour autant qu'elle soit intacte, une membrane qui ondule n'a aucun impact sur les performances de la sonde.

- Il faut remplacer le module à membrane lorsque la sonde a un temps de réponse trop long, lorsque la valeur de mesure est instable ou dérive, lorsque la sonde ne peut plus être étalonnée ou lorsque la membrane est endommagée.
- Vérifier l'absence de décolorations, de dépôts et de fissures du verre autour de la cathode. Le cas échéant, rincer à l'eau déminéralisée et nettoyer à l'aide d'un pinceau propre et doux ou d'un mouchoir en papier doux.



Prudence ! Ne pas utiliser de produits de nettoyage ou de l'alcool. Ils peuvent endommager la sonde ou entraîner des signaux parasites.

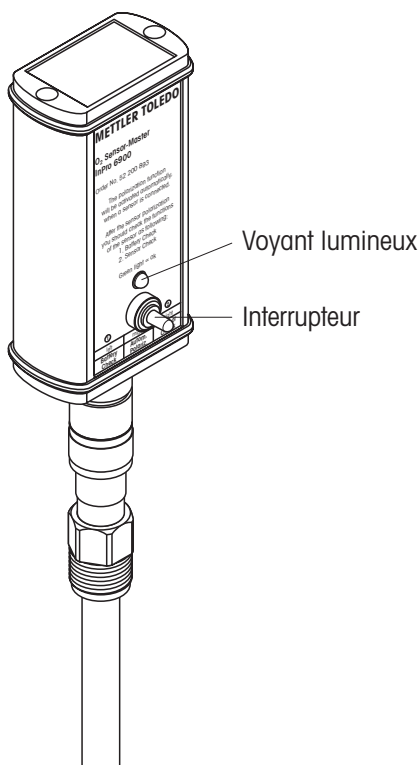


Prudence ! Le corps en verre est fragile et sensible aux chocs.

6.1.2 Test de la sonde avec le O₂ Sensor-Master de METTLER TOLEDO

Nous vous recommandons d'utiliser le O₂ Sensor-Master de METTLER TOLEDO afin de vérifier la qualité de votre sonde. Pour ce faire, procédez comme suit :

- Connectez la sonde au O₂ Sensor-Master.



La fonction de polarisation est activée dès la connexion de la sonde au O₂ Sensor-Master. Si la sonde a été débranchée du transmetteur pendant plus de 5 minutes, polarisez la sonde (temps de polarisation, voir « Chapitre 5.1 ») afin d'obtenir des résultats de test représentatifs.

- **Vérification de la pile :**
Poussez l'interrupteur vers la gauche. Si la pile est en bon état et que le O₂ Sensor-Master est opérationnel, un voyant lumineux vert s'allume. Si tel n'est pas le cas, consultez le mode d'emploi du O₂ Sensor-Master.
- **Vérification de la sonde :**
Avant d'effectuer ce test, **la sonde doit être polarisée et la membrane de la sonde doit être propre et sèche.**

Tenir la sonde connectée au O₂ Sensor-Master dans l'air et pousser l'interrupteur vers la droite en position « 2 – Sensor check ». Le O₂ Sensor-Master contrôle alors le courant de la sonde dans l'air ambiant. Ce dernier doit se trouver dans un domaine de valeurs prédéterminé p. ex. 2500 à 6000 nA pour l'InPro 6950 i.

Si la diode verte s'allume, le courant se trouve dans ce domaine.

Si le voyant lumineux ne s'allume pas, vous devez vérifier la pile du O₂ Sensor-Master (voir instructions d'utilisation « Accessoires »). Si la pile fonctionne, cela signifie qu'il y a probablement un problème au niveau de votre sonde. Vous devez, dans ce cas, changer l'électrolyte et/ou la cartouche à membrane de la sonde. Si, une fois la membrane remplacée, le voyant ne s'allume toujours pas, cela signifie qu'il y a peut-être un problème au niveau du corps interne. Vous devez alors le remplacer (voir « Chapitre 6.2 »).



Important ! Cette fonction ne vérifie que le courant dans l'air de la sonde. Pour avoir une garantie totale du bon fonctionnement de la sonde, un contrôle du courant résiduel dans un milieu sans oxygène doit être effectué (voir « Chapitre 6.1.3 »).

6.1.3 Test de la sonde à l'aide d'un transmetteur

Pour contrôler le bon fonctionnement de la sonde, une mesure périodique du courant de zéro est recommandée.



Remarque : La sonde doit être polarisée au moment du contrôle.

Elle se fait à l'aide du gel de courant zéro (n° de cmde. 30 300 435) mais peut aussi se faire dans des gaz d'étalonnage (azote ou dioxyde de carbone, pureté d'au moins 99,995 %) ou dans un milieu saturé par ces gaz.

Après 2 minutes dans un milieu exempt d'oxygène, la sonde doit indiquer moins de 10 % de la valeur de mesure dans l'air et, après 10 minutes, moins de 1 % de cette valeur.

Des valeurs trop élevées signalent un épuisement de l'électrolyte ou une membrane défectueuse. Dans le premier cas, il faut remplacer l'électrolyte et, dans le second, le module à membrane et l'électrolyte.

Si les valeurs indiquées ci-dessus ne sont pas atteintes après remplacement de l'électrolyte et du module à membrane, vous devez alors remplacer le corps interne. Si cette mesure ne corrige toujours pas le résultat, renvoyez la sonde pour inspection à votre agence METTLER TOLEDO.

Beaucoup de milieux de mesure contiennent des substances volatiles qui ont une odeur clairement perceptible, même à très faible concentration. Comme l'oxygène, ces substances peuvent s'introduire dans l'électrolyte à travers la membrane perméable aux gaz ; elles sont perceptibles au remplacement de l'électrolyte. Ces substances, ainsi qu'une légère coloration de l'électrolyte n'affectent pas, dans la plus part de cas, les propriétés de mesure de la sonde.

6.1.4 Version ISM

Les fonctions ISM intégrées offrent des possibilités étendues de surveillance des sondes. Les paramètres enregistrés dans les sondes sont les suivants :

- N° de série
- Type de sonde
- N° de commande
- Données d'étalonnage
- Compteur NEP/SEP
- Pente
- Point de zéro

6.2 Remplacer l'électrolyte ou le module à membrane ou le corps interne



Remarque : L'InPro 6900i et 6950i utilisent un électrolyte spécial contenant un anti-oxydant. Il garantit un temps de réaction court et augmente, grâce à la « guard ring », la stabilité du signal de la sonde. L'électrolyte doit être remplacé à intervalles réguliers et à coup sûr si la sonde a été exposée à l'air durant plus de 24 heures sans capuchon de mouillage rempli de solution de conditionnement .



Remarque : Consommer l'électrolyte dans les 3 mois après la première ouverture du flacon d'électrolyte.

Si la membrane et/ou le corps interne ne fonctionne plus parfaitement (temps de réponse trop long, courant de zéro important en milieu exempt d'oxygène, dommage mécanique, etc.), il faut remplacer le module à membrane et/ou le corps interne.



Attention ! L'électrolyte O₂ a une valeur de pH alcaline. Évitez tout contact de l'électrolyte avec les yeux ou les muqueuses. Pour cette raison, il faut porter des gants de protection et des lunettes de protection pour les travaux de remplacement suivantes. En cas de contamination, rincer abondamment la partie du corps touchée avec de l'eau. En cas de malaise consulter un médecin.

Pour remplacer l'électrolyte ou le module à membrane ou le corps interne, respecter strictement la démarche suivante (voir aussi l'illustration ci-après) :



Avertissement ! Assurez-vous que les étapes de travail suivantes sont effectuées dans un environnement propre.

1. Dévisser la gaine de la tige de sonde et la retirer avec précaution.
2. Retirer le module à membrane du corps interne. Si le module à membrane est coincée dans la gaine, l'en extraire en pressant avec la pulpe du doigt. Avant de remplacer l'électrolyte il faut

impérativement extraire le module à membrane de la gaine !

- Rincer le corps interne à l'eau déminéralisée et le sécher soigneusement avec un mouchoir en papier.



Remarque : Il faut uniquement excécuter les étapes 4 à 7 pour remplacer le corps interne.

- Dévissez l'écrou de maintien du corps interne au moyen d'une clé réglable ou d'une clé 9 mm.
- Enlevez le corps interne en l'ôtant de l'axe de la sonde. Si nécessaire, utilisez une pince.

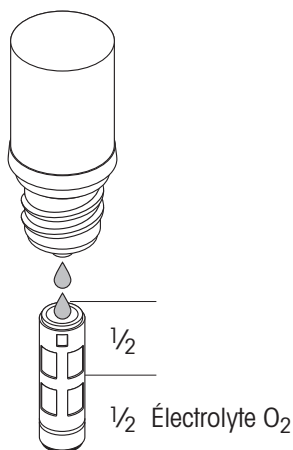


Avertissement ! Ne faites pas tourner le corps interne en l'extrayant. Vous risqueriez d'endommager les tiges de connexion.

- Insérez le nouveau corps interne dans l'axe de la sonde. Tournez le corps interne dans l'axe jusqu'à ce que la rainure du corps interne soit aligné avec la tige placée dans l'axe.
- Enfoncez le corps interne dans l'axe et vissez le nouvel écrou de maintien en place.
- Vérifier visuellement le bon état des joints toriques et, si nécessaire, les remplacer.
- Remplir à moitié le module à membrane neuf d'électrolyte O₂.



Remarque : le flacon d'électrolyte est équipé d'un verseur spécial. Pour qu'il fonctionne correctement, le flacon doit être tenu verticalement, tête en bas, lors du remplissage.



Remarque : vérifier que le module à membrane rempli soit exempt de bulles d'air. Secouer avec précaution le module à membrane pour chasser les bulles d'air.

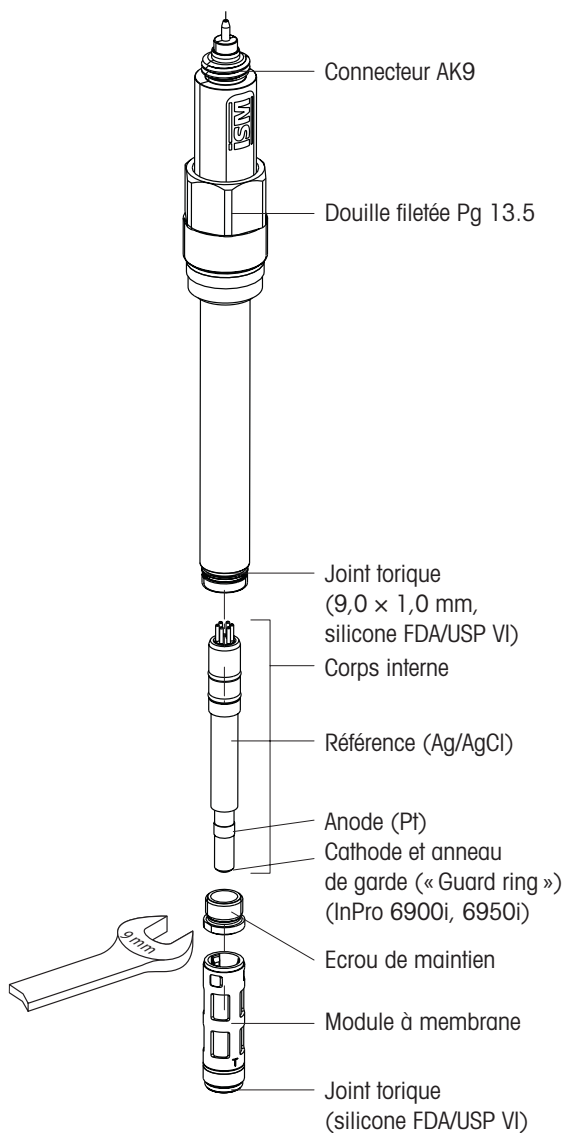
- Engager le module à membrane en position verticale sur le corps interne. Enlever l'excédent d'électrolyte à l'aide d'un mouchoir en papier.



Important ! Entre le module à membrane et la gaine il ne doit pas y avoir d'électrolyte ni de milieu de mesure ou des saletés. Vérifier la propreté !

11. Glisser la gaine avec précaution sur le module à membrane, maintenir la sonde en position verticale et la visser. La gaine doit être propre et sèche.
12. Après chaque remplacement de l'électrolyte ou du module à membrane ou du corps interne, il faut polariser la sonde et la réétalonner.

Remplacer le corps interne



7 Conservation

Pour entreposer les sondes durant plus de 24 heures, nous recommandons d'utiliser le capuchon de protection rempli de solution de nettoyage et de conditionnement (n° de commande 52 200 255), comme pour nos systèmes portables de mesure de O₂. Cette solution contient un anti-oxydant qui empêche que la sonde soit en contact avec l'oxygène lorsqu'il ne sert pas.

Lorsque la sonde est stockée sans polarisation pendant plus d'une semaine, l'électrolyte doit être retiré.

Pour fabriquer la solution de nettoyage et de conditionnement, procédez comme suit : déposez une tablette dans 40 ml d'eau distillée et patientez 5 minutes jusqu'à ce qu'elle soit dissoute. Remplissez le capuchon de protection de cette solution et placez-le sur l'extrémité de la sonde. La solution de nettoyage et de conditionnement possède des propriétés nettoyantes qui protègent la membrane des microorganismes. Si vous n'avez pas de kit de nettoyage et de conditionnement, vous pouvez également utiliser du gel de remise à zéro ou de l'eau dégazée dans le capuchon de protection. Avant de monter la sonde, ôtez le capuchon de protection et rincez la sonde dans un courant d'eau.



Prudence ! En cas de stockage de la sonde sans alimentation en courant (transmetteur, Sensor-Master) de plus de une semaine, la sonde devrait être conservée à l'état sec, c'est-à-dire sans électrolyte dans le module à membrane. Une sonde conservée à sec (sans électrolyte dans le module à membrane) ne doit pas être raccordée au O₂ Sensor-Master ou au niveau d'un autre module de polarisation.

8 Caractéristiques du produit

8.1 Certificats

Chaque sonde est livrée avec un jeu de **certificats 3.1** (en conformité avec la norme EN 10204).

Toutes les pièces métalliques en contact avec le milieu (axe de la sonde, gaine et module à membrane) sont identifiées à l'aide d'un symbole correspondant au numéro de coulée. Le symbole gravé sur la sonde correspond au numéro de coulée qui figure sur le certificat papier délivré avec la sonde.

Chaque pièce métallique en contact avec le milieu (axe de la sonde, gaine et module à membrane) est polie de manière à obtenir une rugosité de surface inférieure à 0,4 µm. Cela équivaut à un niveau de rugosité de N5 (selon la norme ISO 1320 : 1992).

8.2 Spécifications

| InPro 6850i/6900i/6950i | |
|--|--|
| Principe de mesure | Électrode Clark, polarographique |
| Conditions d'utilisation | |
| Domaine de pression admissible (mesure) | 6850i: 0,2 ... 6 bar 6900i: 0,2 ... 6 bar (9 bar avec T-6900R) 6950i: 0,2 ... 6 bar |
| Domaine de pression (résistance mécanique) | Max. 12 bar |
| Domaine de température (mesure) | 0 ... 80 °C |
| Domaine de température (résistance mécanique) | 6850i: - 5 ... 140 °C 6900i: - 5 ... 121 °C (stérilisable et autoclavable) 6950i: - 5 ... 121 °C (stérilisable) |
| Construction | |
| Compensation de la température | Automatique |
| Connexion du câble | AK9 |
| Matériaux des joints toriques | Silicone FDA et USP Class VI approuvé |
| Matériaux de la membrane | PTFE/Silicone/PTFE (renforcé par un treillis métallique en acier) |
| Matériaux du corps de la sonde (en contact avec le milieu) | 316L acier inoxydable |
| Rugosité de surface des pièces métalliques en contact avec le milieu | N5 ($R_a = 0,4 \mu\text{m}$) |
| Corps interne « quick disconnect » | Standard |
| Cathode | Pt |
| Anode | 6850i: Pt 6900i: Ag 6950i: Pt |
| Cathode annulaire auxiliaire de garde (« Guard ring ») | 6850i: - 6900i: Pt 6950i: Pt |
| Référence | Ag |
| Dimensions | |
| Diamètre de la sonde | 6850i: 12/25 mm 6900i: 12 mm 6900i: 12 mm |
| Longueur d'immersion (a) pour sonde de diamètre 12 mm | 6850i/6900i: 70, 120, 220, 320, 420 mm 6950i: 70, 120, 220, 320 mm |
| Longueur d'immersion (a) pour sonde de diamètre 25 mm | 6850i: 80, 160, 260, 360 mm 6900i: - 6950i: - |
| Performance | |
| Limite de détection | 6850i: 6 ppb (saturation) 6900i: 1 ppb (saturation) 6950i: 0.1 ppb (saturation) |
| Précision | 6850i: $\leq \pm (1 \% + 6 \text{ ppb})$ 6900i: $\leq \pm (1 \% + 1 \text{ ppb})$ 6950i: $\leq \pm (1 \% + 0,1 \text{ ppb})$ |
| Temps de réponse à 25 °C | 98 % de la valeur finale < 90 s |
| Signal de la sonde dans l'air ambiant (25 °C) | 6850i: 50...110 nA 6900i: 250...500 nA 6950i: 2500...5000 nA |
| Signal résiduel dans un milieu exempt d'oxygène | 6850i: < 0,1 % du signal 6900i: < 0,3 % du signal 6950i: < 0,025 % du signal |

Certification

| | |
|--------------------------------|--------------------------------|
| EHDG, 3A | Oui |
| 3.1 (EN 10204) | Oui |
| Certificat ATEX, IECEx et UKEX | 6850i/6900i: Oui 6950i: Oui |
| FM Approval | 6850i/6900i: Oui 6950i: Oui |
| FDA/USP VI | Oui |
| Contrôle qualité | Oui |

Compatibilité

| | |
|---------------------------------------|-----------------------|
| avec les transmetteurs METTLER TOLEDO | voir « Chapitre 9.4 » |
| avec les supports METTLER TOLEDO | voir « Chapitre 9.5 » |

9 Informations pour la commande

Pour de plus amples informations consultez la fiche technique. Veuillez la demander à votre fournisseur.

9.1 Sondes avec fonctionnalité ISM

Informations pour la commande

| – Connect. droit | 6850i | 6900i | 6950i |
|------------------------|------------|------------|------------|
| 70 mm | 52 206 118 | 52 206 316 | 52 206 127 |
| 120 mm | 52 206 119 | 52 206 317 | 52 206 128 |
| 220 mm | 52 206 120 | 52 206 318 | 52 206 129 |
| 320 mm | 52 206 121 | 52 206 319 | 52 206 130 |
| 420 mm | 52 206 122 | – | – |
| – Version 25 mm | | | |
| 80 mm | 52 206 123 | – | – |
| 160 mm | 52 206 124 | – | – |
| 260 mm | 52 206 125 | – | – |
| 360 mm | 52 206 126 | – | – |

9.2 Accessoires

| Accessoires | N° de commande |
|---|----------------|
| O ₂ Sensor-Master «Digital ISM» (polarisateur pour sonde à oxygène) | 52 206 329 |
| Câbles | |
| AK9 câble coaxial avec tête K8S 1 m | 59 902 167 |
| AK9 câble coaxial avec tête K8S 3 m | 59 902 193 |
| AK9 câble coaxial avec tête K8S 5 m | 59 902 213 |
| AK9 câble coaxial avec tête K8S 10 m | 59 902 230 |
| AK9 câble coaxial avec tête K8S 20 m | 52 300 204 |

9.3 Pièces de rechange

| Pièces détachées | N° de commande |
|--|----------------|
| – InPro 6850 i | |
| Module à membrane (seul), T-96 | 52 200 071 |
| Kit modules à membrane T-96 (4 membr., 1 kit de joints toriques, 25 ml d'électrolyte, matériaux en contact avec le milieu en acier SS 316L) | 52 200 024 |
| Module à membrane (16 pcs), T-96 | 52 206 114 |
| Paquet d'électrolyte O ₂ (3 × 25 ml) | 30 298 424 |
| Élément sensible (interchang.), InPro 6850i | 52 206 347 |
| – InPro 6900 i | |
| Module à membrane (seul), renforcée, InPro 6900 (T-6900R) | 52 201 108 |
| Kit modules à membrane, renforcée, InPro 6900 (T-6900R) | 52 201 109 |
| Paquet d'électrolyte InPro 6900 (3 × 5 ml) | 30 298 425 |
| Élément sensible (interchang.), InPro 6900 | 52 200 943 |
| – InPro 6950 i | |
| Module à membrane (seul) | 52 206 105 |
| Kit à membrane (4 membranes, 1 kit de joints toriques, 2 × 5 ml d'électrolyte) | 52 206 106 |
| Paquet d'électrolyte InPro 6950 (3 × 5 ml) | 30 298 426 |
| Élément sensible (interchang.), InPro 6950 | 52 206 112 |

9.4 Transmetteurs recommandés

| Transmetteurs M700 | N° de commande |
|---|-----------------------|
| Unité de base, revêtue, M700C | 52 121 171 |
| Unité de base, revêtue, Ex, VPW, M700XC/VPW | 52 121 172 |
| Unité de base, revêtue, Ex, 24 V, M700XC/24 V | 52 121 173 |
| Unité de base, acier inoxydable, M700S | 52 121 174 |
| Unité de base, acier inoxydable, Ex, VPW M700XS/VPW | 52 121 175 |
| Unité de base, acier inoxydable, Ex, 24 V M700XS/24 V | 52 121 176 |

| Transmitter modules M700 | N° de commande |
|--|-----------------------|
| ISM module de O ₂ 4700i | 52 121 263 |
| ISM module de O ₂ , Ex, 4700iX | 52 121 263 |
| ISM module de O ₂ 4700i ppb | 52 121 265 |
| ISM module de O ₂ , Ex, 4700iX ppb | 52 121 266 |
| ISM module de O ₂ 4700i traces | 52 121 295 |
| ISM module de O ₂ , Ex, 4700iX traces | 52 121 294 |

| Transmetteurs M300D | N° de commande |
|---------------------------------------|-----------------------|
| M300i, ¼DIN, 1 canal, multi-paramètre | 52 121 354 |
| M300i, ½DIN, 1 canal, multi-paramètre | 52 121 355 |
| M300i, ¼DIN, 2 canal, multi-paramètre | 52 121 356 |
| M300i, ½DIN, 2 canal, multi-paramètre | 52 121 357 |

| Transmetteurs M400 | N° de commande |
|---------------------------|-----------------------|
| M400, type 1 | 52 121 348 |
| M400, type 2 | 52 121 349 |
| M400, type 3 | 52 121 350 |

Pour plus d'informations sur les types différents, consultez s.v.p. le « Guide paramètre » ci-dessous.

Guide paramètre pour transmetteurs M400

| | M400 | M400 | M400 |
|--------------------------------|---------------|---------------|---------------|
| Sondes analogues | type 1 | type 2 | type 3 |
| pH/rédox | • | • | • |
| Conductivité, sonde à 2 élect. | • | • | • |
| Conductivité, sonde à 4 élect. | • | • | • |
| O ₂ ppm | – | • | • |
| O ₂ ppb | – | – | • |
| Sondes ISM | | | |
| pH/rédox | • | • | • |
| Conductivité, sonde à 2 élect. | • | • | • |
| Conductivité, sonde à 4 élect. | • | • | • |
| O ₂ ppm | – | • | • |
| O ₂ ppm optique | – | – | • |
| O ₂ ppb | – | – | • |
| O ₂ trace | – | – | • |

9.5 Supports recommandés

Support (12 mm ø)

Support fixe

InFit 761 CIP

Support rétractable

InTrac 777 e

InTrac 797 e

Support à immersion

InDip™ 550



Remarque : Les supports étant disponibles dans différentes finitions, veuillez prendre contact avec votre organisation de vente METTLER TOLEDO pour vous assurer que les numéros de commande correspondent bien avec la finition désirée.

10 Théorie de la sonde polarographique

10.1 Introduction

Deux types d'électrodes sont utilisés dans les sondes analytiques **potentiométriques** et **ampérométriques**.

- Les électrodes potentiométriques développent une tension générée par l'activité d'un ion particulier. Exemples : les électrodes de verre (telles que les électrodes de mesure du pH) et la plupart des électrodes sélectives pour ions. Leurs potentiels individuels ne peuvent pas être déterminés. La quantité mesurable est la différence de potentiel entre l'électrode de mesure et une électrode de référence inerte. Le potentiel de la sonde de référence doit être constant. Toutes les électrodes potentiométriques sont soumises à la loi de Nernst. C'est pour cette raison que, dans la plupart des cas, les électrodes et instruments de mesure ne sont pas interchangeables. La détermination de la tension d'électrode sans courant constitue l'une des exigences en matière de mesures potentiométriques. Pendant la mesure, aucune réaction chimique ne se produit et la solution reste en équilibre.
- Dans le cas **d'électrodes ampérométriques**, telles que **les sondes à oxygène**, la mesure de l'activité est basée sur la mesure du courant. **La sonde à oxygène traditionnelle se compose d'une cathode et d'une anode connectées de manière conductive par un électrolyte.** Une tension de polarisation adaptée entre l'anode et la cathode réduit de manière sélective l'oxygène au niveau de la cathode.

Réaction cathodique :



Ces réactions chimiques génèrent un courant électrique qui est proportionnel à la pression partielle d'oxygène ($p\text{O}_2$). La sonde à oxygène réduit l'oxygène en permanence. La concentration en oxygène dissous se fait donc moindre. L'oxygène se résorbe par diffusion. Pour cette raison, la viscosité et le taux d'écoulement de la solution constituent deux paramètres importants. Le courant d'électrode d'une sonde à oxygène est non seulement déterminé par la pression partielle d'oxygène mais également par de nombreux autres paramètres relatifs aux électrodes. Les courants d'électrode de différents types de sondes peuvent varier de plusieurs puissances de dix. C'est pour cette raison que les électrodes à oxygène et les amplificateurs ne peuvent pas être interchangeables.

10.2 Principe de conception d'une sonde à oxygène

Il existe deux principaux types d'électrodes à oxygène :

- Les électrodes sans membrane
- Les électrodes avec membrane perméable au gaz (Principe de Clark)

Selon Clark, l'électrode à membrane constitue le type d'électrode le plus utilisé actuellement. En comparaison avec les électrodes sans membrane, ce type d'électrode présente les avantages suivants :

- Mesure de l'oxygène dans des gaz et solutions
- Pas de contamination mutuelle de la sonde et de la solution
- Peu ou pas de dépendance relative à l'écoulement

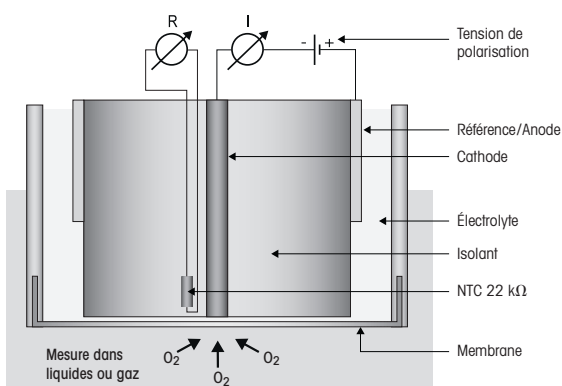
Dans le cas de l'électrode de Clark, la configuration géométrique est très importante. L'épaisseur du film d'électrolyte situé entre la cathode et la membrane doit satisfaire des tolérances très strictes, de manière à garantir une bonne linéarité et un courant de zéro faible (courant dans une atmosphère d'azote).

Les sondes à oxygène METTLER TOLEDO se déclinent en différents modèles :

Type A, système à 2 électrodes, InPro 6800

InPro 6800 pour concentrations en oxygène moyennes et élevées. Cathode et anode/référence. Anode et référence réunies dans une électrode argent/chlorure d'argent.

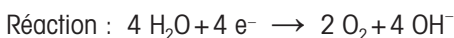
La réaction d'équilibre au niveau de l'anode/référence est la suivante :



Type B, système à 3 électrodes, InPro 6850 i

InPro 6850 i pour concentrations en oxygène moyennes et élevées. La référence est comparable à une anode argent/chlorure d'argent classique. L'anode est une électrode en platine distincte de la référence.

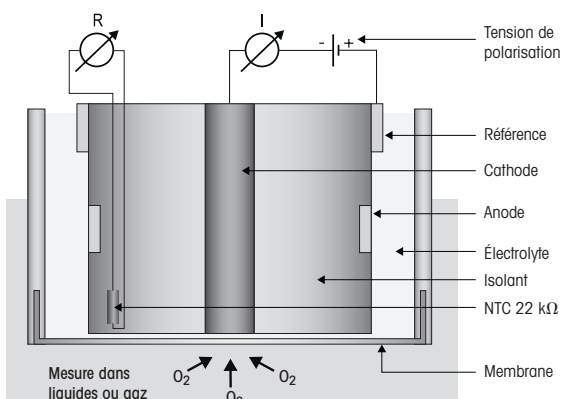
La réaction au niveau de l'anode est la suivante :



La référence est une anode argent/chlorure électrode. Après polarisation, un équilibre stable est atteint entre la surface de l'électrode et l'électrolyte. Aucune réaction-bilan ne se passe. Elle est en situation d'équilibre avec l'électrolyte. Il n'y a pas de réaction mesurable.

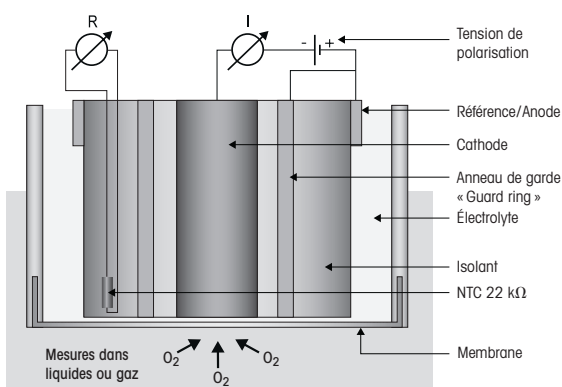
Réaction d'équilibre au niveau de la référence :

Réaction : pas de courant



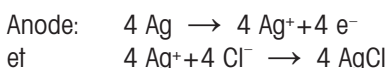
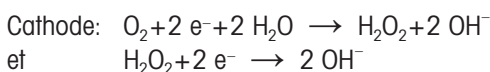
Type C, système à 3 électrodes, InPro 6900 (i)

InPro 6900 et InPro 6900i. Pour mesures de l'oxygène de l'ordre du ppb. Anode et référence réunies dans une électrode argent/chlorure d'argent (comme avec le type A). Sondes munies d'un anneau de garde supplémentaire autour de la cathode. Cet anneau forme, tout comme la cathode avec l'anode, un circuit électrique fermé qui évite que l'oxygène ne se diffuse vers la cathode sur le côté, au risque de fausser les résultats.

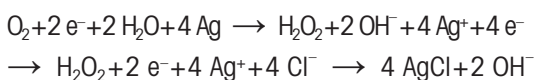


Le fonctionnement de la cathode est toujours le même, quelle que soit la sonde.

La tension constante appliquée entre la cathode et la référence (tension de polarisation) s'élève à 500 ou 675 mV. Au niveau de la cathode, l'O₂ subit une réduction sous forme d'OH⁻.



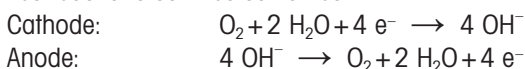
L'équation globale est donc la suivante :



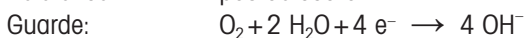
Type D, système à 4 électrodes, InPro 6950(i)

L'InPro 6950i est destinée à la mesure de taux d'oxygène dissous constamment bas, jusqu'au niveau de 0,1 ppb. Du point de vue technologique, il s'agit d'une combinaison de l'InPro 6850i et de l'InPro 6900i. La sonde est composée de 4 électrodes. L'anode (platine) et la référence (Ag/AgCl) sont divisées en deux électrodes distinctes. L'anneau de garde est placé autour de la cathode. La cathode possède le diamètre le plus élevé de toutes les sondes oxygène METTLER TOLEDO.

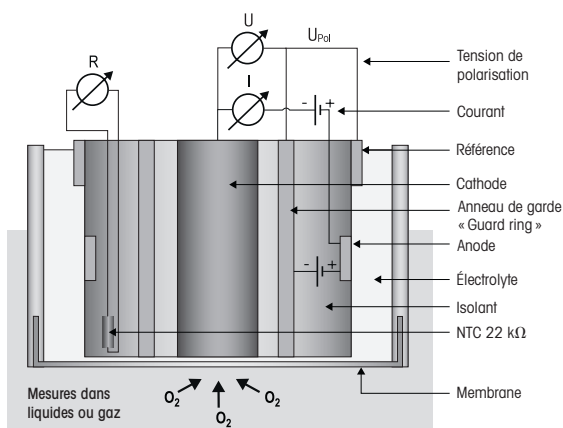
Les réactions sont les suivantes:



Référence: pas de courant



De par la surface plus grande de la cathode, un courant plus élevé est généré. Ceci permet la mesure de l'oxygène jusqu'à 0.1 ppb.



Un courant proportionnel à la pression partielle d'O₂ au niveau de la cathode circule donc entre la cathode et l'anode (à raison de 4 électrons pour chaque molécule d'O₂).

L'ampérage du flux de courant dépend de la surface de la cathode. Les valeurs types sont les suivantes :

| | Courant de l'air | Courant résiduel en % du courant de l'air |
|----------|-------------------------|--|
| 6800 | 50–110 nA | < 0,1 |
| 6850 (i) | 50–110 nA | < 0,1 |
| 6900 (i) | 250–500 nA | < 0,03 |
| 6950 i | 2500–5000 nA | < 0.025 |

Ce courant mesuré est converti en une valeur d'oxygène, puis affiché par le transmetteur. Dans le cas des sondes ISM, ce calcul est effectué à l'intérieur de la sonde. Le résultat est affiché par le transmetteur.

10.3 Paramètres déterminant le courant

La quantité d'oxygène diffusée et l'intensité du courant d'électrode sont influencés par les paramètres suivants :

- La pression partielle d'oxygène de la solution
- L'épaisseur et le matériau constituant la membrane
- La taille de la cathode
- La tension de polarisation
- La température
- Les conditions d'écoulement de la solution

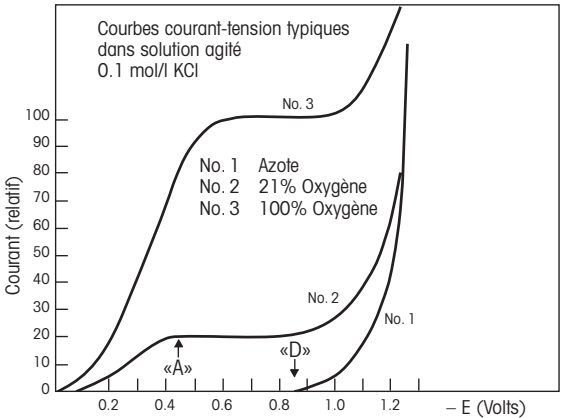
La loi de Fick établit la relation mathématique entre ces paramètres :

$$I = k \times D \times a \times A \times \frac{pO_2}{X}$$

- I = Courant d'électrode
- k = Constante
- D = Coefficient de diffusion d'O₂ dans la membrane
- a = Solubilité de O₂ dans le matériau de la membrane
- A = Surface de la cathode
- pO₂ = Pression partielle d'oxygène de la solution
- X = Épaisseur de la membrane perméable au gaz

10.4 La tension de polarisation

La tension entre l'anode et la cathode est sélectionnée de telle sorte que l'oxygène soit totalement (> A, voir polarogramme) réduit tandis que les autres gaz ne sont pas affectés (< D). La tension idéale pour le système Pt/Ag/AgCl ou Pt/Pt/Ag/AgCl se situe entre -500 et -750 mV.



La tension de polarisation doit rester aussi constante que possible. Outre une source de tension constante, les conditions suivantes doivent également être remplies : La résistance électrique du film d'électrolyte ne doit pas dépasser une certaine valeur afin d'éviter une chute de tension.

L'anode doit présenter une grande surface de manière à éviter la polarisation de l'anode par le courant d'électrode.

10.5 La température

La dépendance à la température d'un courant traversant une électrode à oxygène, avec une pression partielle d'O₂ constante, est principalement déterminée par les propriétés de la membrane perméable au gaz.

10.6 Dépendance relative à l'écoulement

Avec la plupart des électrodes à oxygène, le courant d'électrode est plus bas dans les solutions stagnantes que dans les solutions agitées. L'oxygène consommé par l'électrode entraîne une réduction de l'oxygène du milieu de mesure (sous la forme H₂O) à proximité immédiate de la cathode, hors de la membrane. L'oxygène manquant est remplacé par diffusion. Si le courant d'électrode est fort, la solution n'est pas capable de régénérer totalement l'oxygène réduite par diffusion. De ce fait, le courant d'électrode est plus faible que le courant qui devrait correspondre aux conditions dans la solution. Dans les solutions agitées, l'oxygène est transporté vers la surface de la membrane par diffusion mais également par le flux (convection). Dans ce cas, il ne se produit aucun appauvrissement en oxygène à la surface de la membrane.

Un niveau élevé de dépendance à l'écoulement intervient généralement lors de l'utilisation de grandes 4 cathodes et de membranes fines et très perméables, c'est-à-dire lorsque le courant d'électrode est plus grand.

Le problème de la dépendance à l'écoulement est souvent résolu en prescrivant un taux d'écoulement minimum.

Dans les sondes InPro 6950 de METTLER TOLEDO, la fine membrane en PTFE qui détermine le courant d'électrode (c-à-d. le véritable signal de mesure) est séparée de la solution à analyser par une membrane en silicone relativement épaisse. Cette dernière est hautement perméable aux molécules d'oxygène et agit donc comme un réservoir à oxygène. La diffusion de l'oxygène hors de la solution à analyser dans la membrane en silicone se fait sur une grande surface. Etant donné que ce processus a pour effet de réduire la quantité d'oxygène extraite de la solution à analyser par unité de surface, la double membrane en PTFE/silicone forme un tampon efficace contre les perturbations dues à l'écoulement hydrodynamique.

Cette membrane, associée à la « guard ring » et à l'électrolyte spécial, garantit une excellente stabilité de signal, même en cas de chute du flux hydrodynamique (par exemple, sur une ligne de soutirage de bière).

10.7 Pression partielle d'oxygène – concentration en oxygène

Le courant d'électrode dépend de la pression partielle de l'oxygène et de la perméabilité à l'oxygène de la membrane. La conversion de la pression partielle en concentration en oxygène dépend du milieu de mesure (liquides ou gaz).

Mesure dans des liquides

En cas de mesure dans des liquides, la concentration en oxygène dépend en plus de la solubilité de l'oxygène dans le milieu de mesure. Comme ce point n'est pas détecté par le courant de la sonde, la concentration en oxygène doit être calculée au niveau du transmetteur. De plus, la loi de Henry est appliquée, c'est-à-dire que la concentration en oxygène est proportionnelle à la pression partielle de l'oxygène (pO_2).

$$CI = pO_2 \times \alpha$$

α = Facteur de solubilité

Si « α » est une constante, la concentration en oxygène peut être déterminée au moyen d'une électrode. Ce principe s'applique à une température constante et dans le cas de solutions aqueuses diluées telles que l'eau potable.

Le facteur de solubilité est fortement influencé par la température mais également par la composition de la solution :

| Milieu, saturé avec air | Solubilité à 20 °C et 760 mm Hg |
|--------------------------------|--|
| Eau | 9.2 mg O ₂ /l |
| 4 mol/l KCl | 2 mg O ₂ /l |
| 50 % Méthanol-eau | 21.9 mg O ₂ /l |

Bien que leurs solubilités soient totalement différentes, la sonde à oxygène donne le même résultat dans les 3 solutions.

Ainsi donc, la détermination de la concentration en oxygène n'est possible qu'avec des facteurs de solubilité « a » connus et constants.

La solubilité peut être déterminée par un titrage Winkler ou suivant la méthode décrite par Käppeli et Fiechter.

Mesures dans des gaz

La concentration en oxygène lors de mesure dans des gaz est toujours indiquée en part de volume de la constitution des gaz. Les unités courantes sont les suivantes : % (vol.) et ppm (vol.).

La conversion d'une unité à une autre est simple.

Exemple :

En règle générale, les pourcentages volumétriques sont utilisés pour la composition de l'air. Ainsi, l'air comporte par exemple 20,95 % d'oxygène, ce qui correspond à 209'500 ppm (vol.).

(Conversion : valeur ppm = 10'000 × valeur en %)

Références

- W. M. Krebs, I. A. Haddad *Develp. Ind. Microbio.*, 13, 113 (1972)
- H. Bühler, *W. Ingold GIT* 20, 977 (1976)
- W. M. Krebs, *MBAA Techn. Quart.* 16, 176 (1975)

For addresses of METTLER TOLEDO
Market Organizations please go to:
www.mt.com/contacts

METTLER TOLEDO Group
Process Analytics
Local contact: www.mt.com/contacts

Subject to technical changes.
© 05/2023 METTLER TOLEDO
All rights reserved.
Printed in Switzerland. 52 206 349 G



Management System
certified according to
ISO 9001 / ISO 14001



www.mt.com/pro

