



Product Data Sheet

**DuPont™ TapTec™ XMF PLUS RO Flatsheet**  
XMF PLUS Reverse Osmosis Flatsheet

**Description**

DuPont™ TapTec™ XMF PLUS RO Flatsheet offers super high flow and satisfied salt rejection, making it an ideal solution for application in high flow RO elements. TapTec™ XMF PLUS RO Flatsheet is powered by the new generation of membrane chemistry and quality assured by DuPont Water Solutions — reputable global brand and the modern RO inventor with reliable supply commitment to local market.

TapTec™ XMF PLUS RO Flatsheet:

- has consistent performance across the width of the roll, allowing it to be cut into sections for small element manufacturing.
- is packaged for protection during shipping and storage—one roll per box, wrapped in dark plastic, and suspended inside the box with carton endcaps.
- is shipped dry and is easy to handle and fabricate into elements.

**Product Type**

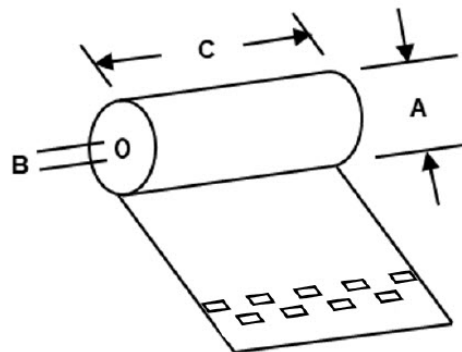
Rolled flatsheet of thin-film composite membrane

**Product Specifications ‡**

TapTec™ Flatsheet	Water Flux	Salt Rejection
<b>XMF PLUS RO</b>	28.0 – 32.0 gfd	97.5%

‡ Specifications based on flat cell testing under the following test conditions: 500 ppm NaCl feed, 70 psig feed pressure, 25°C (77°F), pH 7, 4 L/min retentate flowrate. Test time is 30 minutes. Minimum rejection 97.0%.

**Typical Properties**



Samples used to determine performance of roll  
Sample number: 9  
Sample size: 92 mm × 46 mm

<b>Roll Size</b>	
Length (Nominal)	300 m
Area (Nominal)	3,500 ft <sup>2</sup>
<b>Dimensions</b>	
Scroll Diameter (nominal), A	24.5 cm (9.6 in)
Core Diameter, B	7.6 cm (3 in)
Width (nominal), C	106.7 cm (42 in)
<b>Weight (approximate)</b>	32 kg (70 lb)
<b>Appearance</b>	Surface or color variation may occur *

\* Color variation will not impact flatsheet performance.

## **Product Stewardship**

DuPont has a fundamental concern for all who make, distribute, and use its products, and for the environment in which we live. This concern is the basis for our product stewardship philosophy by which we assess the safety, health, and environmental information on our products and then take appropriate steps to protect employee and public health and our environment. The success of our product stewardship program rests with each and every individual involved with DuPont products—from the initial concept and research, to manufacture, use, sale, disposal, and recycle of each product.

## **Customer Notice**

DuPont strongly encourages its customers to review both their manufacturing processes and their applications of DuPont products from the standpoint of human health and environmental quality to ensure that DuPont products are not used in ways for which they are not intended or tested. DuPont personnel are available to answer your questions and to provide reasonable technical support. DuPont product literature, including safety data sheets, should be consulted prior to use of DuPont products. Current safety data sheets are available from DuPont.

Please be aware of the following:

- The use of this product in and of itself does not necessarily guarantee the removal of cysts and pathogens from water. Effective cyst and pathogen reduction is dependent on the complete system design and on the operation and maintenance of the system.
- Any concentrate or permeate obtained from the first hour of operation should be discarded.

## **Regulatory Note**

This product may be subject to drinking water application restrictions in some countries; please check the application status before use and sale.

**Have a question? Contact us at:**

[www.dupont.com/water/contact-us](http://www.dupont.com/water/contact-us)

All information set forth herein is for informational purposes only. This information is general information and may differ from that based on actual conditions. Customer is responsible for determining whether products and the information in this document are appropriate for Customer's use and for ensuring that Customer's workplace and disposal practices are in compliance with applicable laws and other government enactments. The product shown in this literature may not be available for sale and/or available in all geographies where DuPont is represented. The claims made may not have been approved for use in all countries. Please note that physical properties may vary depending on certain conditions and while operating conditions stated in this document are intended to lengthen product lifespan and/or improve product performance, it will ultimately depend on actual circumstances and is in no event a guarantee of achieving any specific results. DuPont assumes no obligation or liability for the information in this document. References to "DuPont" or the "Company" mean the DuPont legal entity selling the products to Customer unless otherwise expressly noted. NO WARRANTIES ARE GIVEN; ALL IMPLIED WARRANTIES OF MERCHANTABILITY OR FITNESS FOR A PARTICULAR PURPOSE ARE EXPRESSLY EXCLUDED. No freedom from infringement of any patent or trademark owned by DuPont or others is to be inferred.

© 2022 DuPont. DuPont™, the DuPont Oval Logo, and all trademarks and service marks denoted with ™, SM or ® are owned by affiliates of DuPont de Nemours Inc., unless otherwise noted.

