



## Product Data Sheet

### FilmTec™ TW60 RO Flatsheet

TW60 Reverse Osmosis Flatsheet

#### Description

FilmTec™ Flatsheet:

- is not subjected to oxidative posttreatment, nor does it require posttreatment of rolled elements
- has consistent performance across the width of the roll, allowing it to be cut into sections for small element manufacturing
- may be cleaned at the widest pH range in the industry today
- is packaged for protection during shipping and storage—one roll per box, wrapped in dark plastic, and suspended inside the box with plastic endcaps
- is shipped dry and is easy to handle and fabricate into elements

#### Product Type

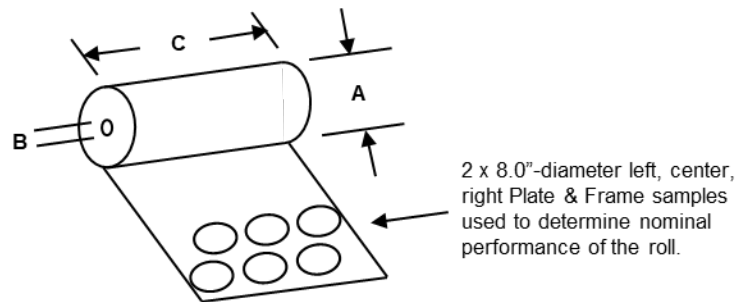
Rolled flatsheet of thin-film composite membrane

#### Product Specifications ‡

FilmTec™ Flatsheet	Water Flux	Maximum Salt Passage
TW60	32.0 – 42.0 gfd	0.9% NaCl

‡ Specifications based on plate & frame testing under the following test conditions: 2,000 ppm NaCl feed, 8.62 bar (125 psig) feed pressure, 25°C (77°F), pH 8, 7.9 L/min (2.1 gpm) retentate flowrate. Test time is 20 minutes. Mean test results from the test samples must meet the above specifications.

#### Typical Properties



<b>Part #</b>	<b>99052932</b>
<b>Roll Size</b>	
Area	557 m <sup>2</sup> (6000 ft <sup>2</sup> )
Length	549 linear m (1800 linear ft)
<b>Dimensions</b>	
Scroll Diameter (nominal), A	33 cm (13 in)
Core Diameter, B	7.6 cm (3 in)
Width (nominal), C	102 cm (40 in)
<b>Weight (approximate)</b>	59 kg (130 lb)
<b>Appearance</b>	Surface or color variation may occur *

\* Color variation will not impact flatsheet performance.

## Product Stewardship

DuPont has a fundamental concern for all who make, distribute, and use its products, and for the environment in which we live. This concern is the basis for our product stewardship philosophy by which we assess the safety, health, and environmental information on our products and then take appropriate steps to protect employee and public health and our environment. The success of our product stewardship program rests with each and every individual involved with DuPont products—from the initial concept and research, to manufacture, use, sale, disposal, and recycle of each product.

## Customer Notice

DuPont strongly encourages its customers to review both their manufacturing processes and their applications of DuPont products from the standpoint of human health and environmental quality to ensure that DuPont products are not used in ways for which they are not intended or tested. DuPont personnel are available to answer your questions and to provide reasonable technical support. DuPont product literature, including safety data sheets, should be consulted prior to use of DuPont products. Current safety data sheets are available from DuPont.

Please be aware of the following:

- The use of this product in and of itself does not necessarily guarantee the removal of cysts and pathogens from water. Effective cyst and pathogen reduction is dependent on the complete system design and on the operation and maintenance of the system.
- Any concentrate or permeate obtained from the first hour of operation should be discarded.

## Regulatory Note

This product may be subject to drinking water application restrictions in some countries; please check the application status before use and sale.

Have a question? Contact us at:

[www.dupont.com/water/contact-us](http://www.dupont.com/water/contact-us)

All information set forth herein is for informational purposes only. This information is general information and may differ from that based on actual conditions. Customer is responsible for determining whether products and the information in this document are appropriate for Customer's use and for ensuring that Customer's workplace and disposal practices are in compliance with applicable laws and other government enactments. The product shown in this literature may not be available for sale and/or available in all geographies where DuPont is represented. The claims made may not have been approved for use in all countries. Please note that physical properties may vary depending on certain conditions and while operating conditions stated in this document are intended to lengthen product lifespan and/or improve product performance, it will ultimately depend on actual circumstances and is in no event a guarantee of achieving any specific results. DuPont assumes no obligation or liability for the information in this document. References to "DuPont" or the "Company" mean the DuPont legal entity selling the products to Customer unless otherwise expressly noted. NO WARRANTIES ARE GIVEN; ALL IMPLIED WARRANTIES OF MERCHANTABILITY OR FITNESS FOR A PARTICULAR PURPOSE ARE EXPRESSLY EXCLUDED. No freedom from infringement of any patent or trademark owned by DuPont or others is to be inferred.

DuPont™, the DuPont Oval Logo, and all trademarks and service marks denoted with ™, ℠ or ® are owned by affiliates of DuPont de Nemours Inc. unless otherwise noted. © 2020 DuPont.



**DO NOT SHARE WITHOUT WRITTEN PERMISSION FROM DUPONT DE NEMOURS, INC.**